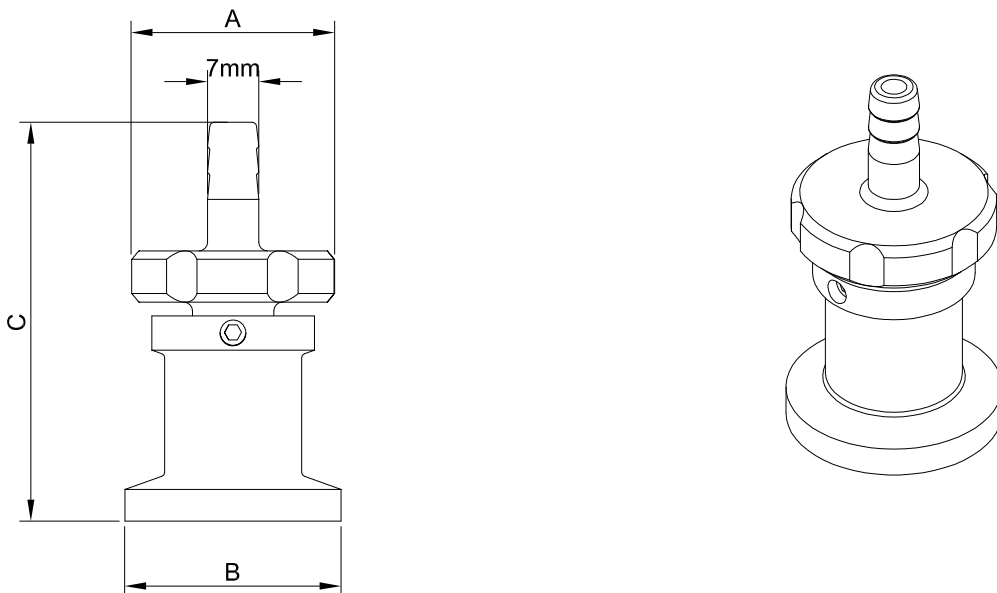


Sample Valve, 3/4" Clamp, 3mm hole



Nom size	A	B	C	Max Op Pressure (bar) @ 20°C	Stock No
0.5"/0.75"	24.0	25.4	47.0	10	5534-6019

Technical Data:

- | | |
|--|---|
| <ul style="list-style-type: none"> Material: 316L Stainless Steel / O Ring: Viton
Boot: Santoprene 281-64MED Finish: 0.8RA or better Pressure/Temperature: 10 Bar/0-100°C operating temperature Associated standards: BS 4825 : Part 3 : 1991 (1" to 4" inclusive) Applications : Designed for manual sampling duties | <ul style="list-style-type: none"> Tolerance: +/- 0.5mm Clamp Seals: EPDM, Nitrile, Silicone, Platinum Cured Silicone, Encapsulated & Solid PTFE, Viton®
<small>Viton® is a registered trademark of DuPont Dow Elastomers</small> |
|--|---|

- Ports/Connections: 4mm port on a 1.5" clamp as standard. 8mm port available.
- 1/2" clamp, RJT, DIN, SMS, IDF BSP and Plain-Ended options available

D5534-01-V03/ECN495

NOTES

- Dimensions are provided in good faith but maybe subject to change
- Seals must be chosen for required operating medium & temperature

FORM No:FM002-V02

(T) +44 (0)1792 883 882
 (F) +44 (0)1792 886 049
 (E) info@axiumprocess.com
 (W) www.axiumprocess.com