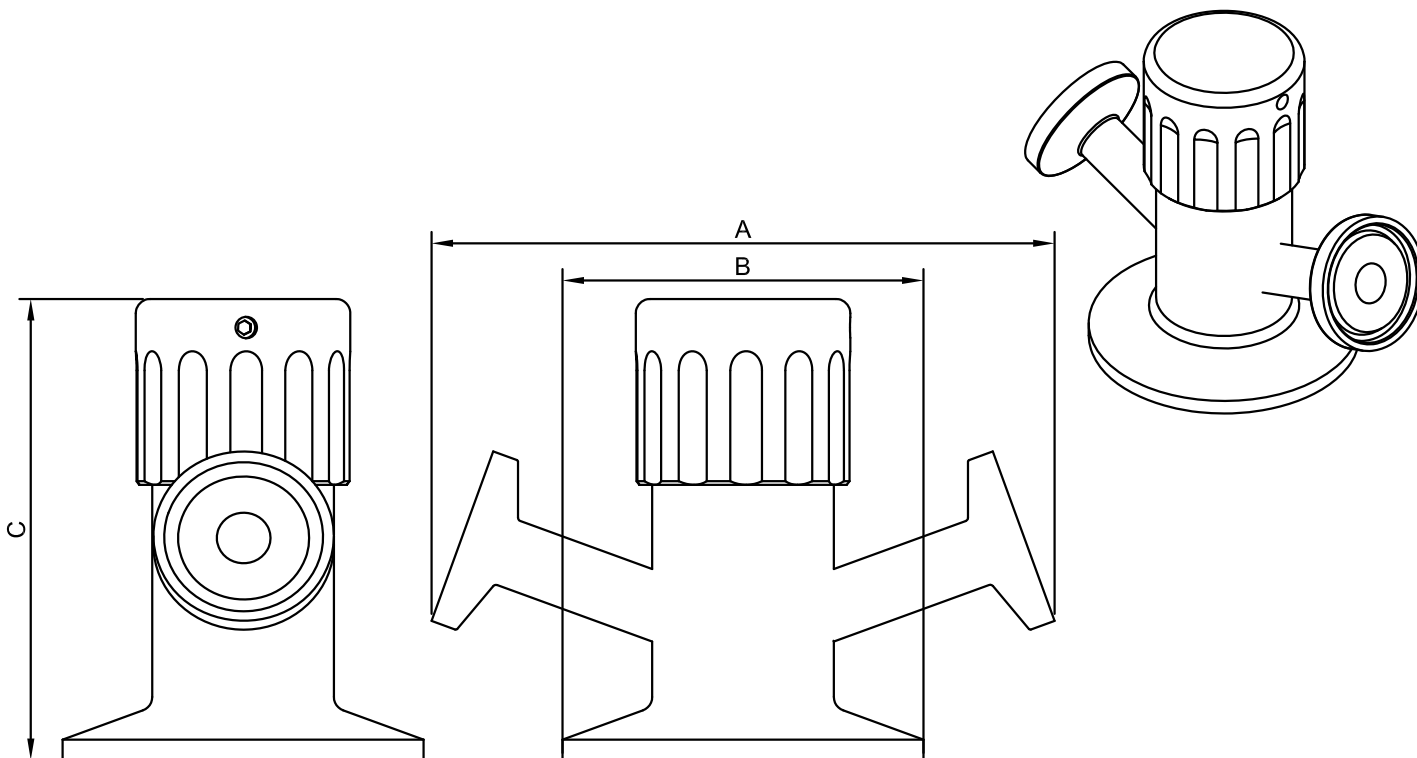


Sample Valve, 1.5" Clamp, 8mm entry port, double sided, 0.5" clamp



Nom size	A	B	C	Max Op Pressure (bar) @ 20°C	Handle Material	Stock No
1"/1.5"	88.0	50.5	64.5	10	Stainless Steel	5533-6026
1"/1.5"	88.0	50.5	64.5	10	Acetal - Black	5533-6026-AC-BK
1"/1.5"	88.0	50.5	64.5	10	Acetal - Blue	5533-6026-AC-BL
1"/1.5"	88.0	50.5	64.5	10	Acetal - Green	5533-6026-AC-GN
1"/1.5"	88.0	50.5	64.5	10	Acetal - Red	5533-6026-AC-RD
1"/1.5"	88.0	50.5	64.5	10	Acetal - Yellow	5533-6026-AC-YL

- Colour coded handles for accurate identification of pipeline sample points
- Ports/Connections: 3mm port on a 0.5" clamp and 8mm port available.
- 1/2" clamp, RJT, DIN, SMS, IDF BSP and Plain-Ended options available

Technical Data:

- | | |
|---|---|
| <ul style="list-style-type: none"> • Material: 316L Stainless Steel
Boot: FDA Approved Santoprene 281-64MED • Finish: 0.8RA or better • Pressure/Temperature: 10 Bar/0-100°C operating temperature • Associated standards: BS 4825 : Part 3 : 1991 (1" to 4" inclusive) • Applications : Designed for manual sampling duties | <ul style="list-style-type: none"> • Tolerance: +/- 0.5mm • Clamp Seals: EPDM, Nitrile, Silicone, Platinum Cured Silicone, Encapsulated & Solid PTFE, Viton®
<small>Viton® is a registered trademark of DuPont Dow Elastomers</small> |
|---|---|

www.axiumprocess.com

D5533-01-V05/ECN657

NOTES

- Dimensions are provided in good faith but maybe subject to change
- Seals must be chosen for required operating medium & temperature

FORM No:FM002-V02
 (T) +44 (0)1792 883 882
 (F) +44 (0)1792 886 049
 (E) info@axiumprocess.com
 (W) www.axiumprocess.com

Axium Process Ltd
 Hendy Industrial Estate
 Hendy, Swansea
 SA4 0XP UK