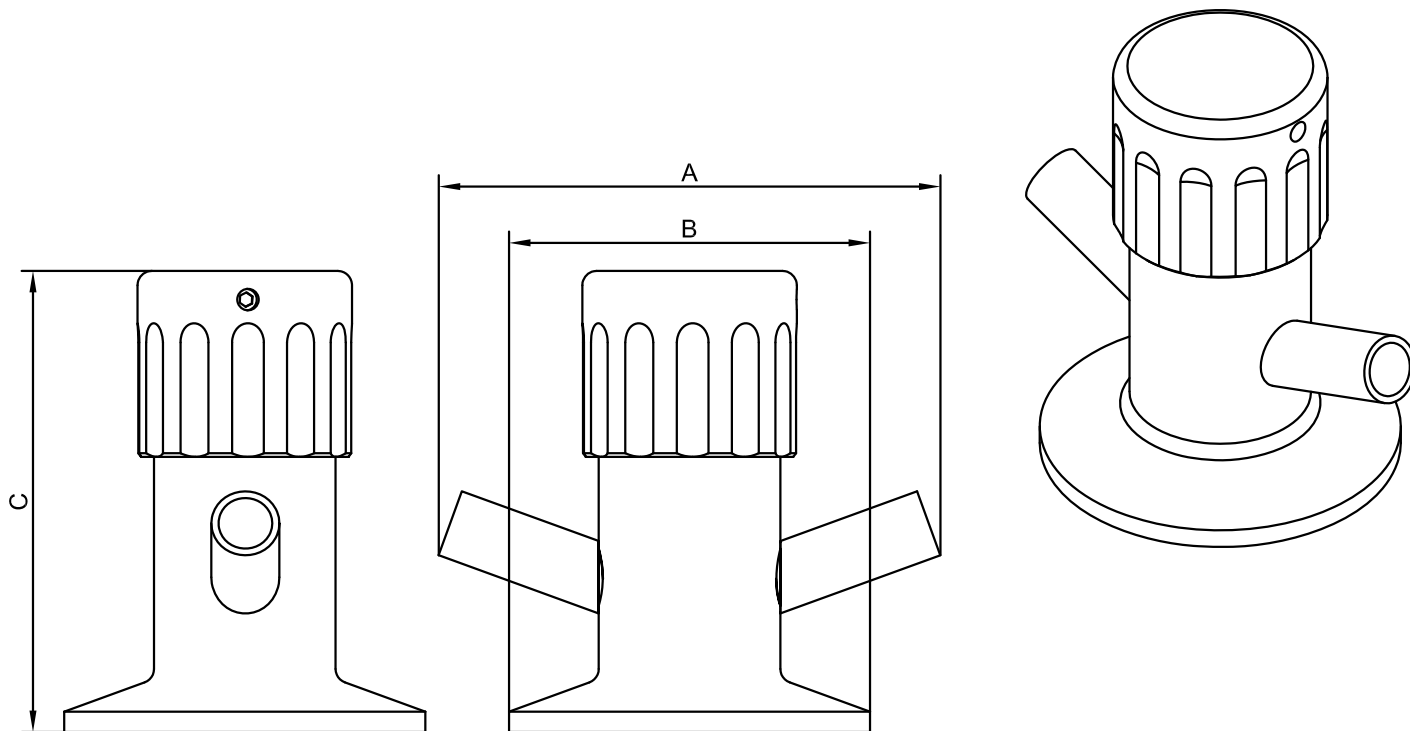


Sample Valve, 1.5" Clamp, 8mm entry port, double sided, p/e



Nom size	A	B	C	Max Op Pressure (bar) @ 20°C	Handle Material	Stock No
1"/1.5"	70.0	50.5	64.5	10	Stainless Steel	5532-6026
1"/1.5"	70.0	50.5	64.5	10	Acetal - Black	5532-6026-AC-BK
1"/1.5"	70.0	50.5	64.5	10	Acetal - Blue	5532-6026-AC-BL
1"/1.5"	70.0	50.5	64.5	10	Acetal - Green	5532-6026-AC-GN
1"/1.5"	70.0	50.5	64.5	10	Acetal - Red	5532-6026-AC-RD
1"/1.5"	70.0	50.5	64.5	10	Acetal - Yellow	5532-6026-AC-YL

- Colour coded handles for accurate identification of pipeline sample points
- Ports/Connections: 3mm port on a 0.5" clamp and 8mm port available.
- 1/2" clamp, RJT, DIN, SMS, IDF BSP and Plain-Ended options available

Technical Data:

- |   |   |
|---|---|
| <ul style="list-style-type: none"> <li>• Material: 316L Stainless Steel<br/>Boot: FDA Approved Santoprene 281-64MED</li> <li>• Finish: 0.8RA or better</li> <li>• Pressure/Temperature: 10 Bar/0-100°C operating temperature</li> <li>• Associated standards: BS 4825 : Part 3 : 1991 (1" to 4" inclusive)</li> <li>• Applications : Designed for manual sampling duties</li> </ul> | <ul style="list-style-type: none"> <li>• Tolerance: +/- 0.5mm</li> <li>• Clamp Seals: EPDM, Nitrile, Silicone, Platinum Cured Silicone, Encapsulated &amp; Solid PTFE, Viton®<br/><small>Viton® is a registered trademark of DuPont Dow Elastomers</small></li> </ul> |
|---|---|

[www.axiumprocess.com](http://www.axiumprocess.com)

D5532-01-V05/ECN657

NOTES

- Dimensions are provided in good faith but maybe subject to change
- Seals must be chosen for required operating medium & temperature

FORM No:FM002-V02  
 (T) +44 (0)1792 883 882  
 (F) +44 (0)1792 886 049  
 (E) [info@axiumprocess.com](mailto:info@axiumprocess.com)  
 (W) [www.axiumprocess.com](http://www.axiumprocess.com)

Axium Process Ltd  
 Hendy Industrial Estate  
 Hendy, Swansea  
 SA4 0XP UK