

# SAMPLE VALVES



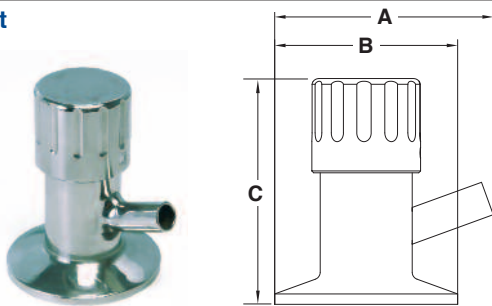
Connecting seals are available in a range of FDA approved polymers including EPDM, \*Viton® Nitrile, Silicone, Encapsulated and solid PTFE. (\*Viton® is a registered trademark of DuPont Dow Elastomers)

**Our range of 316L stainless steel sample valves has been developed with hygienic constraints in mind.**

- Associated standard: BS 4825: Part 3: 1991
- Material traceability to BS EN 10204 3.1
- Crevice free internal boot (FDA approved elastomer)
- Intrinsically safe design; prevents over-tightening or accidental plug removal
- Suitable for clean-in-place (CIP)

## 1½" Clamp, 8mm Entry, Plain-ended - 316L

Single Port



5503

Maximum Operating Pressure 10 Bar at 20°C

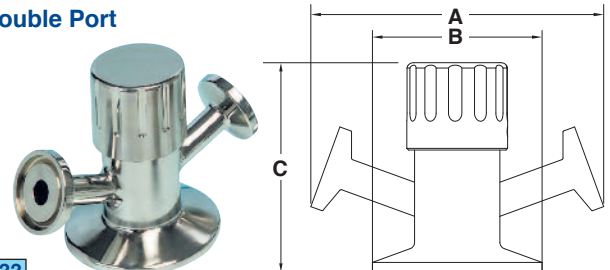
No of Ports	Nom Size	A	B	C	Code
Single	1" / 1½"	60.0	50.5	64.5	5503
Double	1" / 1½"	70.0	50.5	64.5	5532

Standard Finish 0.8 Ra OD (0.4 Ra option available)

Pressure / Temperature: 10 Bar / 0 - 100°C operating temperature

## 1½" Clamp, 8mm Entry, ½" Clamp - 316L 4mm entry also available

Double Port



5533

Maximum Operating Pressure 10 Bar at 20°C

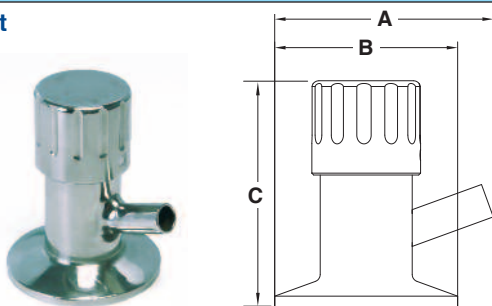
No of Ports	Nom Size	A	B	C	Code
Single	1" / 1½"	69.0	50.5	64.5	5531
Double	1" / 1½"	88.0	50.5	64.5	5533

Standard Finish 0.8 Ra OD (0.4 Ra option available)

Pressure / Temperature: 10 Bar / 0 - 100°C operating temperature

## 1½" Clamp, 4mm Entry Plain-ended - 316L

Single Port



5500

Maximum Operating Pressure 10 Bar at 20°C

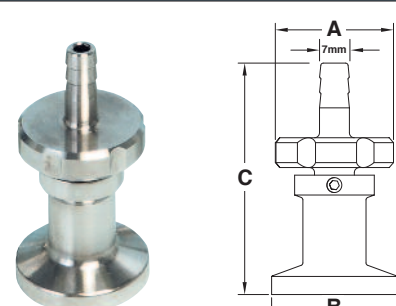
No of Ports	Nom Size	A	B	C	Code
Single	1" / 1½"	60.0	50.5	64.5	5500
Double	1" / 1½"	70.0	50.5	64.5	5537

Standard Finish 0.8 Ra OD (0.4 Ra option available)

Pressure / Temperature: 10 Bar / 0 - 100°C operating temperature

## ¾" Clamp, 3mm Entry - 316L

Single Port



5534

Maximum Operating Pressure 10 Bar at 20°C

No of Ports	Nom Size	A	B	C	Code
Single	½" / ¾"	24.0	25.4	47.0	5534

Standard Finish 0.8 Ra OD (0.4 Ra option available)

Pressure / Temperature: 10 Bar / 0 - 100°C operating temperature



*We can provide colour coded handles for accurate identification of pipeline sample points and reduced heat transfer to the hand.*

**Axium Process specialises in customised fabrication of stainless steel components and systems**

All data is provided in good faith and is subject to change. If dimensions are critical please confirm before ordering.

Tel: +44 (0)1792 883882 Fax: +44 (0)1792 886049

Web: [www.axiumprocess.com](http://www.axiumprocess.com)