



Hygienic Stainless Steel Fittings

Axiom Process is a specialist stainless steel fabricator supplying filtration systems, custom built process equipment, components and fittings to customer specification.

Our extensive range includes RJT, IDF, DIN, SMS, BSP, flanged and plain-ended fittings, as well as a comprehensive range of hygienic stainless steel clamp fittings (see brochure CLA01).



RJT STAINLESS STEEL FITTINGS

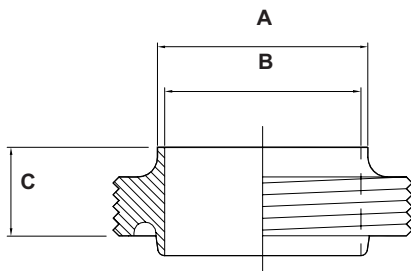


RJT fittings (Ring Joint Type) are used in many of the hygienic industries and are a popular fitting for frequently dismantled sections of pipework.

- Associated Standard BS4825 : Part 5 : 1991
- Material traceability to BS EN 10204

We specialise in customised fabrication providing engineering solutions to customer specification

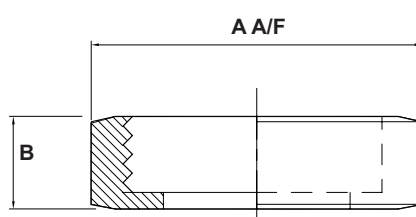
RJT malepart - 316 1001



Nom Size	A	B	C
1"	25.65	22.2	21.5
1 1/2"	38.35	34.9	21.5
2"	51.05	47.6	21.5
2 1/2"	63.75	60.3	21.5
3"	76.45	73.0	21.5
4"	101.85	97.6	21.5

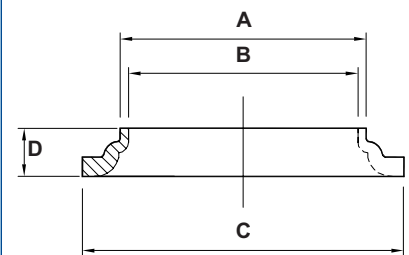
Standard Finish: 0.8Ra ID

RJT nut - 304 1002



Nom Size	A A/F	B
1"	50.8	22.2
1 1/2"	65.0	22.2
2"	79.4	22.2
2 1/2"	92.1	22.2
3"	104.8	22.2
4"	130.2	22.2

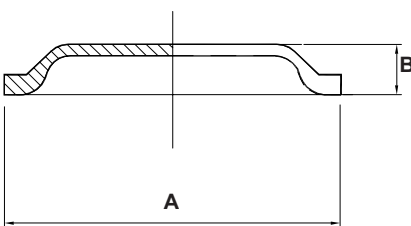
RJT weld liner pressed - 316 1003
(machined liners also available)



Nom Size	A	B	C	D
1"	25.65	22.2	41.0	11.0
1 1/2"	38.35	34.9	54.0	11.0
2"	51.05	47.6	67.0	12.0
2 1/2"	63.75	60.3	79.0	12.0
3"	76.45	73.0	92.0	12.0
4"	101.85	97.6	118.0	14.0

Standard Finish: 0.8Ra ID

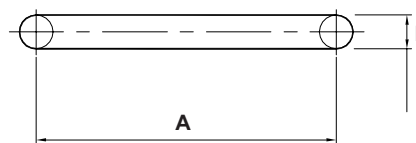
RJT pressed blank - 316 1018



Nom Size	A	B
1"	41.0	8.0
1 1/2"	54.0	8.0
2"	67.0	9.0
2 1/2"	79.0	9.0
3"	92.0	9.0
4"	118.0	9.0

Standard Finish: 0.8Ra ID

RJT seal - Nitrile 1043



Nom Size	A	B
1"	33.0	6.6
1 1/2"	46.0	6.6
2"	58.7	6.6
2 1/2"	71.4	6.6
3"	84.1	6.6
4"	109.5	6.6

EPDM, Silicone, Solid PTFE, *Viton® options available



- Designed to operate up to 10 bar
- SRJT (Sanitary Ring Joint Type) fittings - 5" and 6" sizes available
- Blank, nut and chain also available

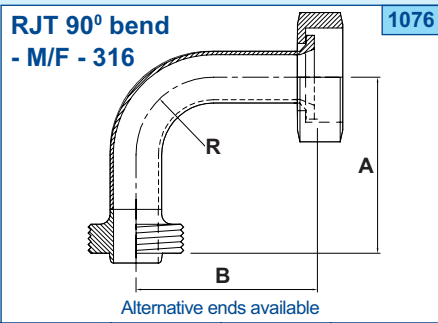
Our comprehensive range of hygienic stainless steel fittings and components also includes filters, sightglasses, sample, butterfly, ball, pressure relief and non return valves, tank manways and sprayballs

(*Viton® is a registered trademark of DuPont Dow Elastomers)

All data is provided in good faith and is subject to change. If dimensions are critical please confirm before ordering.

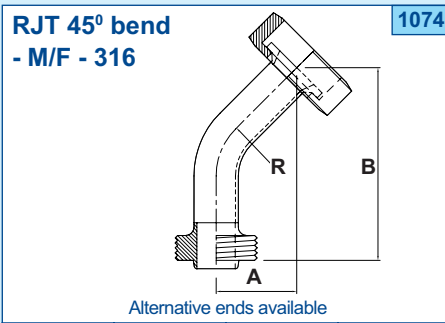
Axiom Process specialises in customised fabrication of stainless steel components and systems

Tel: +44 (0)1792 883882 Web: www.axiomprocess.com Fax: +44 (0)1792 886049



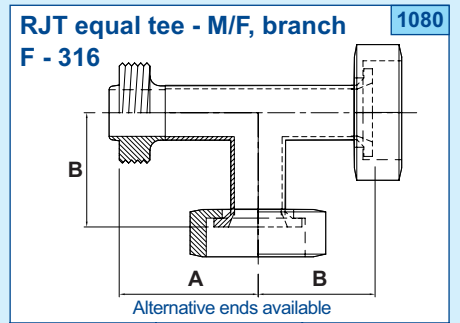
Nom Size	A	B	R
1"	77.7	86.5	38.1
1 1/2"	97.7	106.5	57.2
2"	122.7	131.5	76.2
2 1/2"	147.7	156.5	95.3
3"	167.7	176.5	114.3
4"	207.7	216.5	152.4

Polished 0.8 Ra OD (0.4 Ra option available) Descaled ID



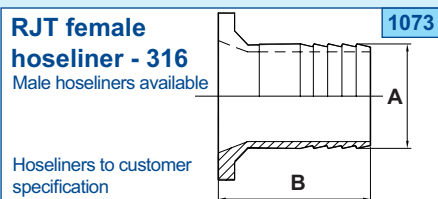
Nom Size	A	B	R
1"	29.0	72.2	38.1
1 1/2"	37.0	91.0	57.2
2"	50.0	121.5	76.2
2 1/2"	62.3	151.5	95.3
3"	75.0	181.3	114.3
4"	96.3	231.4	152.4

Polished 0.8 Ra OD (0.4 Ra option available) Descaled ID



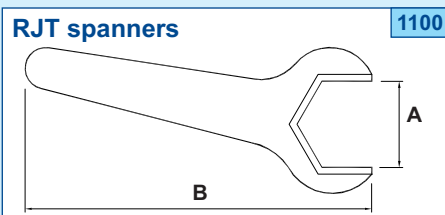
Nom Size	A	B
1"	65.0	56.2
1 1/2"	85.0	76.2
2"	110.0	101.2
2 1/2"	135.0	126.2
3"	155.0	146.2
4"	195.0	186.2

Polished 0.8 Ra OD (0.4 Ra option available) Descaled ID



Nom Size	A	B
1"	25.4	61
1 1/2"	38.1	61
2"	50.8	92
2 1/2"	63.5	92
3"	76.2	112
4"	101.2	114

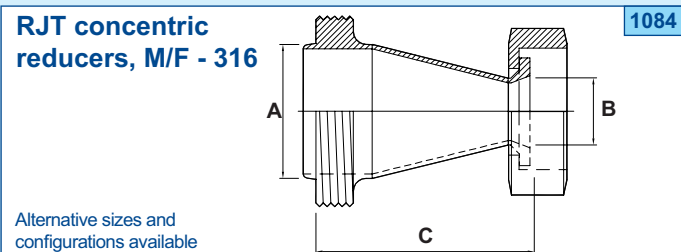
Polished 0.8 Ra OD (0.4 Ra option available) Descaled ID



Nom Size	A	B
1"	52	240
1 1/2"	67	285
2"	82	305
2 1/2"	94	325
3"	107	440
4"	130	450

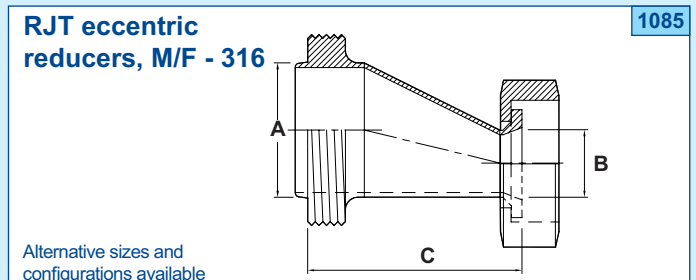
FABRICATED COMPONENTS TO CUSTOMER SPECIFICATION

- Adaptors, manifolds, Y pieces
- Butterfly, ball and sample valves
- Filters and sightglasses
- Jacketed pipework
- Tank and non standard ferrules
- Special bends, tees, hoseliners
- Tank manways
- Sprayballs and sprayball assemblies
- Flowplates



Nom Size Fitting				
Larger	Smaller	A	B	C
1 1/2"	1"	38.1	25.4	63.2
2"	1"	50.8	25.4	83.2
2"	1 1/2"	50.8	38.1	65.2
2 1/2"	1"	63.5	25.4	110.2
2 1/2"	1 1/2"	63.5	38.1	82.2
2 1/2"	2"	63.5	50.8	72.2
3"	1"	76.2	25.4	134.2
3"	1 1/2"	76.2	38.1	108.2
3"	2"	76.2	50.8	84.2
3"	2 1/2"	76.2	63.5	74.2
4"	1"	101.6	25.4	86.2
4"	1 1/2"	101.6	38.1	162.2
4"	2"	101.6	50.8	134.2
4"	2 1/2"	101.6	63.5	109.2
4"	3"	101.6	76.2	89.2

Polished 0.8 Ra OD (0.4 Ra option available) Descaled ID



Nom Size Fitting				
Larger	Smaller	A	B	C
1 1/2"	1"	38.1	25.4	61.2
2"	1"	50.4	25.4	81.2
2"	1 1/2"	50.4	38.1	72.2
2 1/2"	1"	63.5	25.4	102.2
2 1/2"	1 1/2"	63.5	38.1	108.2
2 1/2"	2"	63.5	50.4	79.2
3"	1"	76.2	25.4	129.2
3"	1 1/2"	76.2	38.1	102.2
3"	2"	76.2	50.4	114.2
3"	2 1/2"	76.2	63.5	74.2
4"	1 1/2"	101.6	38.1	150.2
4"	2"	101.6	50.4	130.2
4"	2 1/2"	101.6	63.5	103.2
4"	3"	101.6	76.2	109.2

Polished 0.8 Ra OD (0.4 Ra option available) Descaled ID

All data is provided in good faith and is subject to change. If dimensions are critical please confirm before ordering.

Axiom Process specialises in customised fabrication of stainless steel components and systems

Tel: +44 (0)1792 883882 Web: www.axiomprocess.com Fax: +44 (0)1792 886049



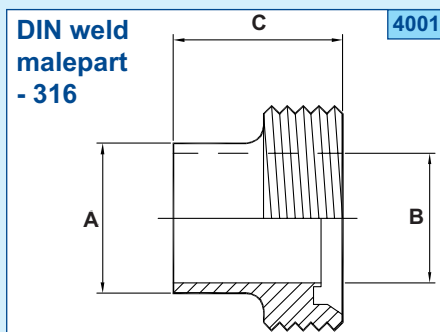
DIN 11851 STAINLESS STEEL FITTINGS

DIN fittings (Deutsches Institut für Normung) are used in many hygienic industries and are available in metric and imperial sizes. The seals are available in two forms, the flanged or lipped design which provides a flush fitting and crevice free joint, or the more commonly used unlipped seal.

- Associated Standards: DIN 11851, DIN 11850, DIN 11864 and DIN 11887
- Material traceability to BS EN 10204

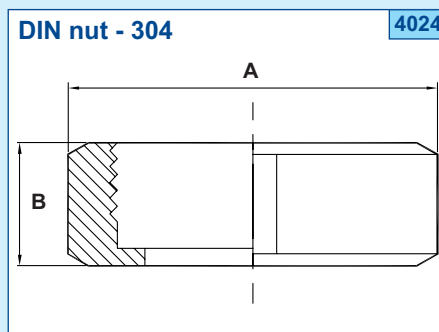
We specialise in customised fabrication providing engineering solutions to customer specification

Dimensions provided are suitable for imperial tube. We also stock sizes for metric tube from 10mm to 150mm.

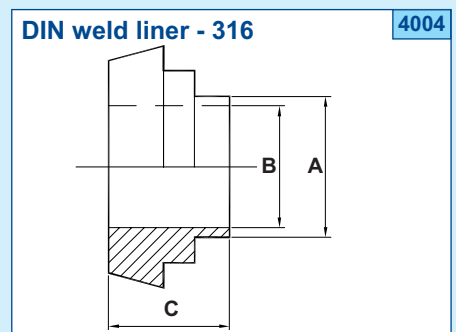


Nom Size	A	B	C
1"	25.4	22.1	29.0
1 1/2"	38.1	34.8	33.0
2"	50.8	47.5	35.0
2 1/2"	63.5	60.2	40.0
3"	76.2	72.9	45.0
4"	101.6	97.4	54.0

Standard Finish: 0.8Ra ID

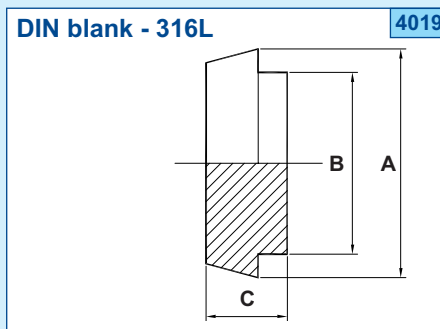


Nom Size	A	B
1"	63.0	21.0
1 1/2"	78.0	21.0
2"	92.0	22.0
2 1/2"	112.0	25.0
3"	127.0	29.0
4"	148.0	31.0



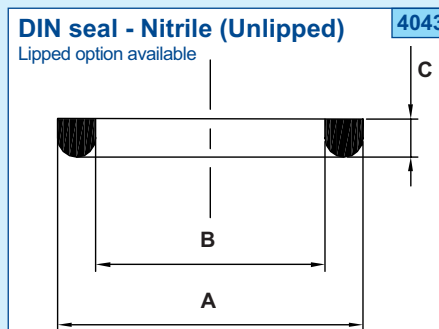
Nom Size	A	B	C
1"	25.4	22.1	22.0
1 1/2"	38.1	34.8	26.0
2"	50.8	47.5	28.0
2 1/2"	63.5	60.2	32.0
3"	76.2	72.9	37.0
4"	101.6	97.4	44.0

Standard Finish: 0.8Ra ID



Nom Size	A	B	C
1"	44.0	35.0	13.0
1 1/2"	56.0	48.0	13.0
2"	68.0	61.0	14.0
2 1/2"	86.0	79.0	16.0
3"	100.0	93.0	16.0
4"	121.0	114.0	20.0

Standard Finish: 0.8Ra ID



Nom Size	A	B	C
1"	40.0	30.0	5.0
1 1/2"	52.0	42.0	5.0
2"	64.0	54.0	5.0
2 1/2"	81.0	71.0	5.0
3"	95.0	85.0	5.0
4"	114.0	104.0	6.0

EPDM, Silicone, *Viton® and PTFE options available



- Designed to operate up to 10 bar
- 316 stainless steel contact parts as standard, 304 option available

DIN bends, tees, concentric and eccentric reducers can be fabricated in-house to customer specification

(*Viton® is a registered trademark of DuPont Dow Elastomers)

All data is provided in good faith and is subject to change. If dimensions are critical please confirm before ordering.

Axiom Process specialises in customised fabrication of stainless steel components and systems

Tel: +44 (0)1792 883882 Web: www.axiumprocess.com Fax: +44 (0)1792 886049



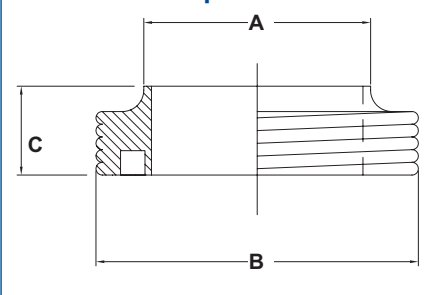
SMS STAINLESS STEEL FITTINGS

SMS (Swedish Standard) fittings are used extensively throughout the UK and Europe. This is a hygienic fitting which has a crevice free design and sections of line can be easily removed, enhancing the union's suitability for use in frequently dismantled systems.

- Material traceability to BS EN 10204

We specialise in customised fabrication providing engineering solutions to customer specification

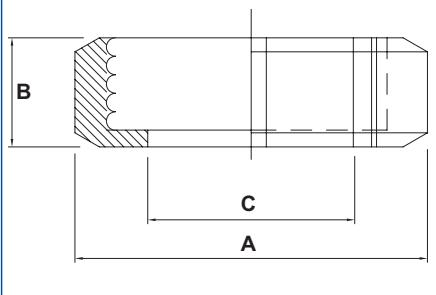
SMS weld malepart - 316 3001



Nom Size	A	B	C
1"	25.4	40.0	15.0
1 1/2"	38.1	60.0	20.0
2"	50.8	70.0	20.0
2 1/2"	63.5	85.0	24.0
3"	76.2	98.0	24.0
4"	101.6	125.0	30.0
4"	101.6	132.0	28.0

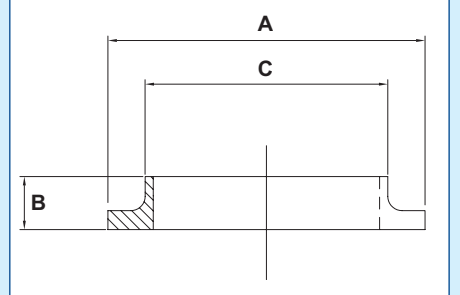
Standard Finish: 0.8Ra ID

SMS nut - 304 3002



Nom Size	A	B	C
1"	51.0	20.0	32.0
1 1/2"	74.0	25.0	48.0
2"	84.0	26.0	60.5
2 1/2"	100.0	30.0	74.0
3"	114.0	32.0	87.0
4"	138.0	31.0	113.0
4"	150.0	30.0	113.0

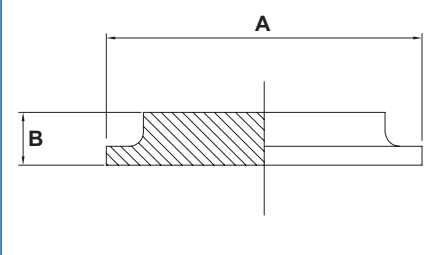
SMS weld liner - 316 3004



Nom Size	A	B	C
1"	35.5	15.5	25.4
1 1/2"	55.0	16.0	38.1
2"	65.0	17.0	50.8
2 1/2"	80.0	17.0	63.5
3"	93.0	19.0	76.2
4"	118.0	19.0	101.6
4"	127.0	19.0	101.6

Standard Finish: 0.8Ra ID

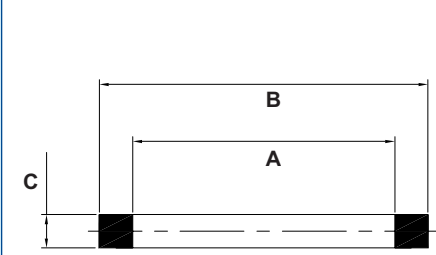
SMS blank - 316 3019



Nom Size	A	B
1"	35.5	7.6
1 1/2"	55.0	8.0
2"	65.0	9.2
2 1/2"	80.0	11.0
3"	93.0	11.0
4"	118.0	11.0
4"	127.0	11.0

Standard Finish: 0.8Ra ID

SMS seal - EPDM 3043



Nom Size	A	B	C
1"	22.5	32.5	5.5
1 1/2"	35.5	48.0	5.5
2"	48.5	61.0	5.5
2 1/2"	60.5	73.5	5.5
3"	72.0	86.0	5.5
4"	101.6	114.0	5.5

Silicone, Nitrile and *Viton® options available

(*Viton® is a registered trademark of DuPont Dow Elastomers)



- Designed to operate up to 10 bar

SMS bends, tees, concentric and eccentric reducers can be fabricated in-house to customer specification

All data is provided in good faith and is subject to change. If dimensions are critical please confirm before ordering.

Axiom Process specialises in customised fabrication of stainless steel components and systems

Tel: +44 (0)1792 883882 Web: www.axiomprocess.com Fax: +44 (0)1792 886049



IDF STAINLESS STEEL FITTINGS

IDF fittings (International Dairy Federation) are used extensively throughout the UK and Europe. This is a hygienic fitting which has a crevice free design and is suitable for CIP (clean in place) technology.

- Associated Standard BS4825 : Part 4 : 1991
- Material traceability to BS EN 10204

We specialise in customised fabrication providing engineering solutions to customer specification

IDF malepart - 316 2001

Nom Size	A	B	C
1"	25.7	29.2	21.5
1 1/2"	38.4	42.7	21.5
2"	51.1	56.2	21.5
2 1/2"	63.8	69.9	21.5
3"	76.5	82.6	21.5
4"	101.9	111.1	30.0

Standard Finish: 0.8Ra ID

IDF nut - 304 2002

Nom Size	A A/F	B
1"	46.0	30.0
1 1/2"	60.0	30.0
2"	75.0	30.0
2 1/2"	90.0	30.0
3"	105.0	30.0
4"	133.0	35.0

IDF weld liner - 316 2004

Nom Size	A	B	C
1"	33.8	29.2	21.5
1 1/2"	47.0	42.7	21.5
2"	60.5	56.2	21.5
2 1/2"	74.0	69.9	21.5
3"	87.5	82.6	21.5
4"	120.6	111.1	30.0

Standard Finish: 0.8Ra ID

IDF blank - 316 2019

Nom Size	A	B	C
1"	29.2	33.8	10.6
1 1/2"	42.7	47.0	10.6
2"	56.2	60.5	10.6
2 1/2"	69.9	74.0	10.6
3"	82.6	87.5	10.6
4"	111.1	120.6	10.6

Standard Finish: 0.8Ra ID

IDF seal - Nitrile 2043

Nom Size	A	B	C
1"	23.2	32.5	7.0
1 1/2"	35.9	46.0	7.0
2"	48.6	59.5	7.0
2 1/2"	61.3	73.2	7.0
3"	74.0	86.5	7.0
4"	98.6	119.0	9.6

Silicone, EPDM and *Viton® options available



- Designed to operate up to 10 bar
- Blank, nut and chain also available

IDF bends, tees, concentric and eccentric reducers can be fabricated in-house to customer specification

(*Viton® is a registered trademark of DuPont Dow Elastomers)

All data is provided in good faith and is subject to change. If dimensions are critical please confirm before ordering.

Axiom Process specialises in customised fabrication of stainless steel components and systems

Tel: +44 (0)1792 883882 Web: www.axiomprocess.com Fax: +44 (0)1792 886049



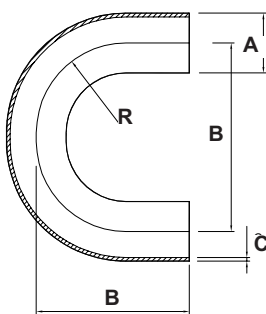
PLAIN-ENDED STAINLESS STEEL FITTINGS

We stock a comprehensive range of plain-ended components including 45° and 90° bends, equal and reducing tees, concentric and eccentric reducers. We also stock a wide range of tube and pipe to fit both imperial and metric fittings.

- Associated Standards: BS 4825 : Part 2 : 1991, ASTM A269, ASTM A270, ASTM A312
- Material traceability to BS EN 10204

We specialise in customised fabrication providing engineering solutions to customer specification

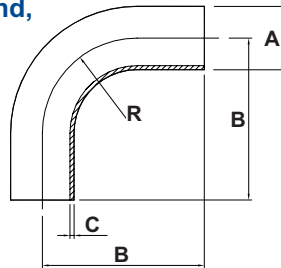
180° bend, long - 316L 8078



Nom Size	A	B	C	R
1"	25.4	155	1.6	76.0
1½"	38.1	232	1.6	114.0
2"	50.8	308	1.6	152.0
2½"	63.5	385	1.6	190.0
3"	76.1	465	1.6	229.0
4"	101.6	620	2.0	305.0

Polished 0.8 Ra OD (0.4 Ra option available) Descaled ID

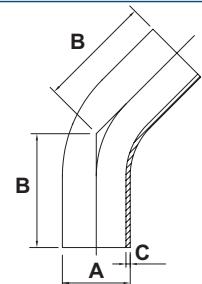
90° bend, long 316L 8076



Nom Size	A	B	C	R
½"	12.7	60.0	1.6	38.0
¾"	19.1	80.0	1.6	57.0
1"	25.4	65.0	1.6	38.1
1½"	38.1	85.0	1.6	57.2
2"	50.8	110.0	1.6	76.2
2½"	63.5	135.0	1.6	95.3
3"	76.2	155.0	1.6	114.3
4"	101.6	195.0	2.0	152.4

Polished 0.8 Ra OD (0.4 Ra option available) Descaled ID

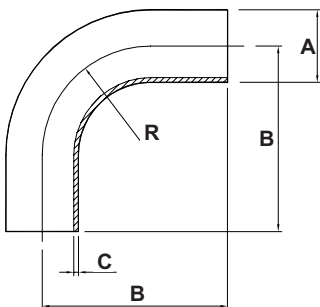
45° bend, standard - 316L 8074



Nom Size	A	B	C
½"	12.7	45.0	1.65
¾"	19.1	55.0	1.65
1"	25.4	30.2	1.65
1½"	38.1	41.3	1.65
2"	50.8	58.7	1.65
2½"	63.5	76.2	1.65
3"	76.2	93.7	1.65
4"	101.6	122.2	2.0

Polished 0.8 Ra OD (0.4 Ra option available) Descaled ID

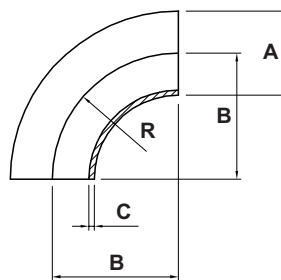
90° bend, 1xD - 316L 8072



Nom Size	A	B	C	R
1"	25.4	55	1.2	25.4
1½"	38.1	70	1.2	38.1
2"	50.8	82	1.2	51.8
2½"	63.5	105	1.6	63.5
3"	76.1	110	1.6	76.1

Polished 0.8 Ra OD (0.4 Ra option available) Descaled ID

90° bend, short - 316L 8075



Nom Size	A	B	C	R
1"	25.4	44.0	1.6	38.1
1½"	38.1	64.0	1.6	57.2
2"	50.8	89.0	1.6	76.2
2½"	63.5	114.0	1.6	95.3
3"	76.2	134.0	1.6	114.3
4"	101.6	174.0	2.0	152.4

Polished 0.8 Ra OD (0.4 Ra option available) Descaled ID



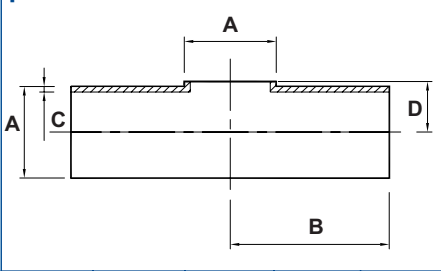
- Non standard bends with radii of 1D, 2D, 3D or larger - 180° and other options also available
- Non standard tees, including neckups and manifolding
- Rolled bends available with 1 metre bend radii and larger on certain sizes

All data is provided in good faith and is subject to change. If dimensions are critical please confirm before ordering.

Axiom Process specialises in customised fabrication of stainless steel components and systems

Tel: +44 (0)1792 883882 Web: www.axiumprocess.com Fax: +44 (0)1792 886049

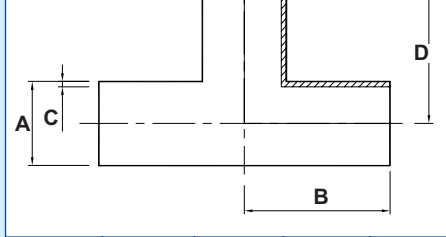
Plain-ended equal pulled tee - 316L 8079



Nom Size	A	B	C	D
¾"	19.1	46.0	1.6	11
1"	25.4	46.0	1.6	14
1½"	38.1	64.0	1.6	22
2"	50.8	89.0	1.6	29
2½"	63.5	114.0	1.6	35
3"	76.2	134.0	1.6	41
4"	101.6	174.0	2.0	55

Polished 0.8 Ra OD (0.4 Ra option available) Descaled ID

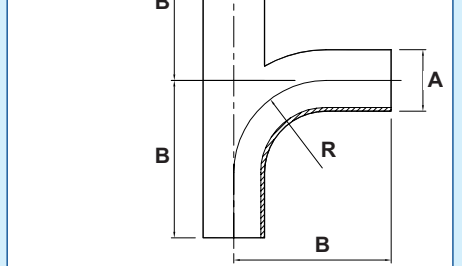
Plain-ended equal tee - 316L 8080



Nom Size	A	B	C	D
½"	12.7	38.0	1.6	38.0
¾"	19.1	46.0	1.6	46.0
1"	25.4	43.5	1.6	43.5
1½"	38.1	63.5	1.6	63.5
2"	50.8	88.5	1.6	88.5
2½"	63.5	113.5	1.6	113.5
3"	76.2	133.5	1.6	133.5
4"	101.6	173.5	2.0	173.5

Polished 0.8 Ra OD (0.4 Ra option available) Descaled ID

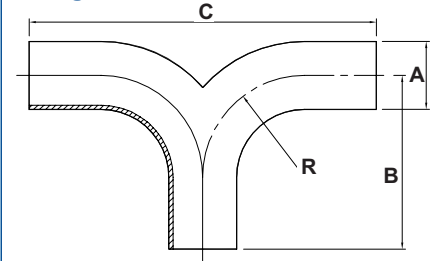
Plain-ended equal swept tee - 316L 8064



Nom Size	A	B	R
1"	25.4	65.0	38.1
1½"	38.1	85.0	57.2
2"	50.8	110.0	76.2
2½"	63.5	135.0	95.3
3"	76.2	155.0	114.3
4"	101.6	195.0	152.4

Polished 0.8 Ra OD (0.4 Ra option available) Descaled ID

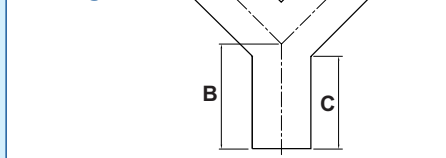
Plain-ended "Y" piece - 316L "Seagull" 8062



Nom Size	A	B	C	R
1"	25.4	65.0	130.0	38.1
1½"	38.1	85.0	170.0	57.2
2"	50.8	110.0	220.0	76.2
2½"	63.5	135.0	270.0	95.3
3"	76.2	155.0	310.0	114.3
4"	101.6	195.0	390.0	152.4

Polished 0.8 Ra OD (0.4 Ra option available) Descaled ID

Plain-ended Y piece - 316L "Straight" 8061



Nom Size	A	B	C
½"	16.0	22.5	19.8
¾"	24.0	33.5	30.0
1"	32.3	45.0	39.8
1½"	48.4	67.5	59.6
2"	64.6	90.0	79.5
2½"	80.8	112.5	99.4
3"	97.0	135.0	119.3
4"	129.2	180.0	159.0

Polished 0.8 Ra OD (0.4 Ra option available) Descaled ID



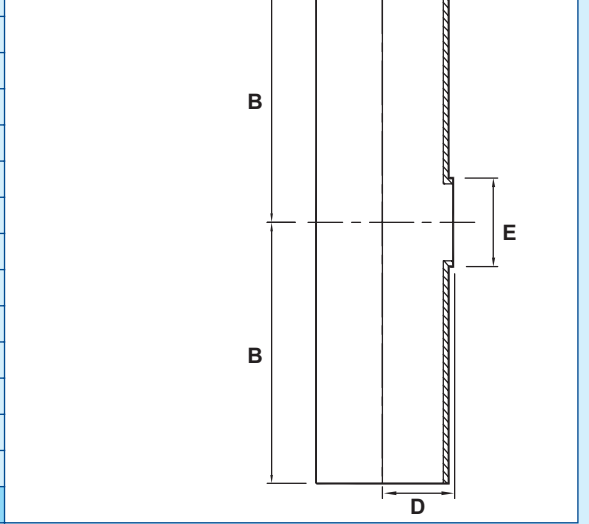
Jacketed Pipework Assemblies designed to optimise heat transfer and reduce service installation costs on site

- BSP heating/cooling connection as standard
- 1" - 4" standard sizes
- Product connections to suit customer specification including clamp, RJT, DIN, SMS, IDF, BSP and plain-ended

Nom Size Body	Nom Size Branch	A	B	C	D	E
1½"	1"	38.1	75	1.6	14	25.4
2"	1"	50.8	89	1.6	14	25.4
2"	1½"	50.8	89	1.6	22	38.1
2½"	1"	63.5	95	1.6	14	25.4
2½"	1½"	63.5	95	1.6	22	38.1
2½"	2"	63.5	95	1.6	29	50.8
3"	1"	76.2	95	1.6	14	25.4
3"	1½"	76.2	95	1.6	22	38.1
3"	2"	76.2	95	1.6	29	50.8
3"	2½"	76.2	95	1.6	35	63.5
4"	1"	101.6	127	1.6	14	25.4
4"	1½"	101.6	127	2.0	22	38.1
4"	2"	101.6	127	2.0	29	50.8
4"	2½"	101.6	127	2.0	35	63.5
4"	3"	101.6	127	2.0	41	76.2

Polished 0.8 Ra OD (0.4 Ra option available) Descaled ID

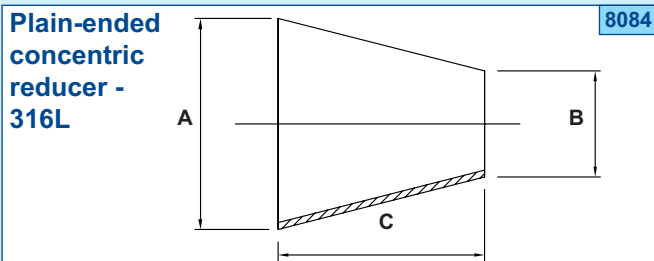
Plain-ended reducing tee - 316L 8081



All data is provided in good faith and is subject to change. If dimensions are critical please confirm before ordering.

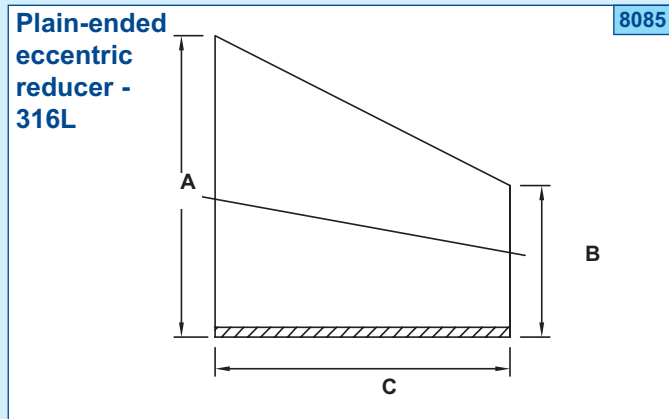
Axiom Process specialises in customised fabrication of stainless steel components and systems

Tel: +44 (0)1792 883882 Web: www.axiumprocess.com Fax: +44 (0)1792 886049



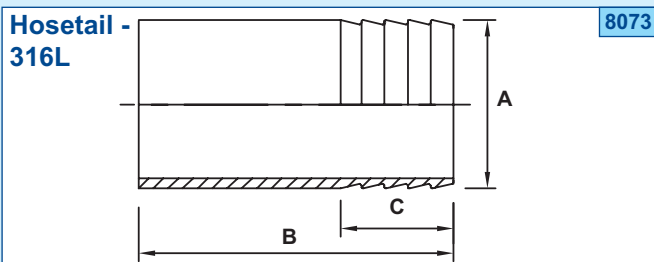
Nom Size Fitting				
Larger	Smaller	A	B	C
1"	1/2"	25.4	12.7	25
1"	3/4"	25.4	19.1	14
1 1/2"	1/2"	38.1	12.7	53
1 1/2"	3/4"	38.1	19.1	54
1 1/2"	1"	38.1	25.4	29
2"	1/2"	50.8	12.7	73
2"	3/4"	50.8	19.1	60
2"	1"	50.8	25.4	49
2"	1 1/2"	50.8	38.1	31
2 1/2"	1"	63.5	25.4	76
2 1/2"	1 1/2"	63.5	38.1	48
2 1/2"	2"	63.5	50.8	38
3"	1"	76.2	25.4	100
3"	1 1/2"	76.2	38.1	74
3"	2"	76.2	50.8	50
3"	2 1/2"	76.2	63.5	40
4"	1"	101.6	25.4	52
4"	1 1/2"	101.6	38.1	128
4"	2"	101.6	50.8	100
4"	2 1/2"	101.6	63.5	75
4"	3"	101.6	76.2	55

Polished 0.8 Ra OD (0.4 Ra option available) Descaled ID



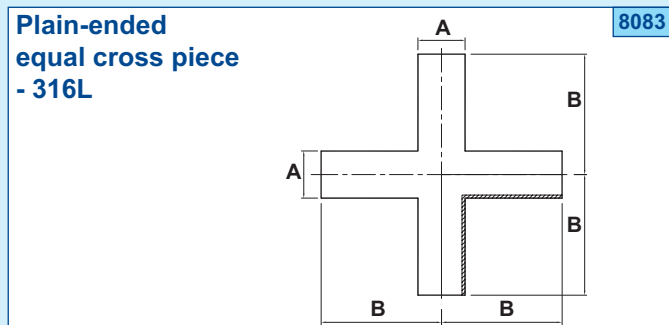
Nom Size Fitting				
Larger	Smaller	A	B	C
1"	1/2"	25.4	12.7	23
1"	3/4"	25.4	19.1	26
1 1/2"	1"	38.1	25.4	27
2"	1"	50.8	25.4	47
2"	1 1/2"	50.8	38.1	38
2 1/2"	1"	63.5	25.4	68
2 1/2"	1 1/2"	63.5	38.1	74
2 1/2"	2"	63.5	50.8	45
3"	1"	76.2	25.4	95
3"	1 1/2"	76.2	38.1	68
3"	2"	76.2	50.8	80
3"	2 1/2"	76.2	63.5	40
4"	1 1/2"	101.6	38.1	116
4"	2"	101.6	50.8	96
4"	2 1/2"	101.6	63.5	69
4"	3"	101.6	76.2	75

Polished 0.8 Ra OD (0.4 Ra option available) Descaled ID



Nom Size	A	B	C
1/2"	12.7	50	24
3/4"	19.1	50	24
1"	25.4	50	24
1 1/2"	38.1	50	24
2"	50.8	80	39
2 1/2"	63.5	80	39
3"	76.2	100	51
4"	101.6	100	51

Polished 0.8 Ra OD (0.4 Ra option available) Descaled ID



Nom Size	A	B
1"	25.4	65
1 1/2"	38.1	85
2"	50.8	110
2 1/2"	63.5	135
3"	76.2	155
4"	101.6	195

Polished 0.8 Ra OD (0.4 Ra option available) Descaled ID

316L Hygienic Tube ASTM 270		
Size	OD	Wall thickness
1/2"	12.7	1.6
1"	25.4	1.6
1 1/2"	38.1	1.6
2"	50.8	1.6
2 1/2"	63.5	1.6
3"	76.2	1.6
4"	101.6	2.0

Standard finish: *Descaled ID, polished 180 – 240 OD

*Tube ID can be polished to customer specification. Our in-house services include manual and orbital welding, machining, fabrication and polishing



All data is provided in good faith and is subject to change. If dimensions are critical please confirm before ordering.

Axiom Process specialises in customised fabrication of stainless steel components and systems

Tel: +44 (0)1792 883882 Web: www.axiumprocess.com Fax: +44 (0)1792 886049

BSP FITTINGS



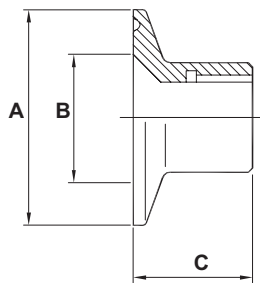
BSP (British Standard Pipe) fittings are generally available from 1/8" up to 4" sizes (dimensions in accordance with BS EN 10241) and are manufactured in 316 stainless steel. Adaptors are available from male or female BSP to clamp, flange, IDF, RJT, DIN or SMS.



We specialise in customised fabrication providing engineering solutions to customer specification

Female Adapter - 316 5196

(BSP to clamp)



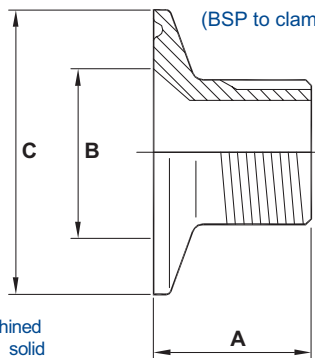
Machined from solid

Nom Size BSP	A	B	C
1/8"	25.4	10.0	25.0
1/4"	25.4	10.0	25.0
3/8"	25.4	10.0	25.0
1/2"	25.4	10.0	25.0
3/4"	50.8	35.0	25.0
1"	50.8	35.0	25.0
1 1/4"	50.8	35.0	25.0
1 1/2"	50.8	35.0	25.0
2"	50.8	35.0	25.0
2 1/2"	50.8	35.0	25.0
3"	50.8	35.0	25.0
4"	50.8	35.0	25.0

Standard Finish: Polished to 0.8 ID (0.4 Ra Option available)

Male Adapter - 316 5197

(BSP to clamp)



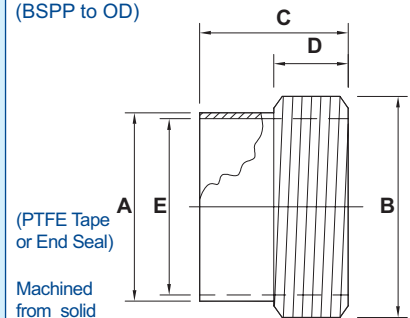
Machined from solid

Nom Size BSP	A	B	C
1/4"	25.4	10.0	30.0
3/8"	25.4	10.0	30.0
1/2"	25.4	16.0	30.0
3/8"	50.8	22.0	32.0
1/2"	50.8	22.0	36.0
3/4"	50.8	22.0	35.0
1"	50.8	22.0	36.0

Standard Finish: Polished to 0.8 ID (0.4 Ra Option available)

Plain-ended Adapter - 316 6095

(BSP to OD)

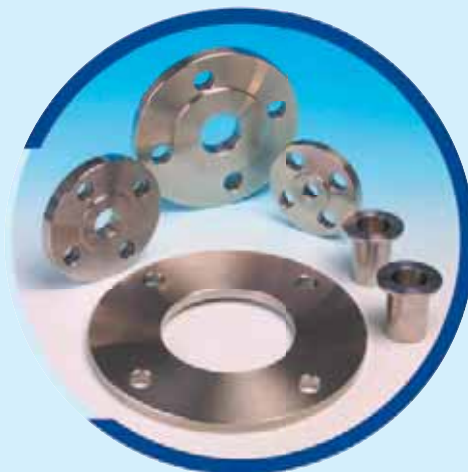


(PTFE Tape or End Seal)

Machined from solid

Nom Size	A	B	C	D	E
1/2"	12.7	20.9	30.0	15.0	9.5
3/4"	19.0	26.4	30.0	15.0	15.8
1"	25.4	33.2	30.0	15.0	22.2
1 1/4"	31.7	41.9	40.0	20.0	28.5
1 1/2"	38.1	47.8	40.0	20.0	34.9
2"	50.8	59.6	40.0	20.0	47.6
2 1/2"	63.5	75.1	50.0	25.0	60.3
3"	76.2	87.8	50.0	25.0	73.0
4"	101.6	113.0	-	-	98.4
5"	129.0	138.4	-	-	125.0
6"	154.0	163.8	-	-	150.0

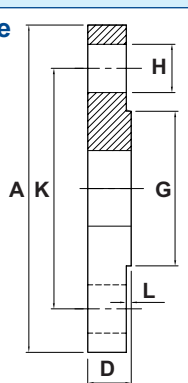
Standard Finish: Polished to 1.0Ra



STAINLESS STEEL FLANGES

A flange can be generally classified as a plate, forging or cast ring that is used to join sections of tube, pipe or items of plant such as a pump or valve.

Flange ANSI 150 316L



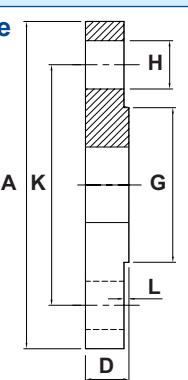
7007

Nom Size	A	D	G	H	K	L
1/2"	88.9	11.1	34.9	15.9	60.3	1.63
3/4"	98.4	12.7	42.9	15.9	69.8	1.63
1"	108.0	14.3	50.8	15.9	79.4	1.63
1 1/2"	127.0	17.5	73.0	15.9	98.4	1.63
2"	152.4	19.0	92.1	19.0	120.6	1.63
2 1/2"	177.8	22.2	104.8	19.0	139.7	1.63
3"	190.5	23.8	127.0	19.0	152.4	1.63
3 1/2"	215.9	23.8	139.7	19.0	177.8	1.63
4"	228.6	23.8	157.2	19.0	190.5	1.63

Standard Finish: 1.6-3.2 Ra

TABLES D&E OPTIONS ALSO AVAILABLE

Flange PN16 316L



7010

Nom Size	A	D	G	H	K	L
1"	115.0	16.0	68.0	14.0	85.0	2.0
1 1/2"	150.0	18.0	88.0	18.0	110.0	3.0
2"	165.0	20.0	102.0	18.0	125.0	3.0
2 1/2"	185.0	20.0	122.0	18.0	145.0	3.0
3"	200.0	20.0	138.0	18.0	160.0	3.0
4"	220.0	22.0	158.0	18.0	180.0	3.0
5"	250.0	22.0	188.0	18.0	210.0	3.0
6"	285.0	24.0	212.0	22.0	240.0	3.0

Standard Finish: 1.6-3.2 Ra

All Flanges bored to suit tube or pipe as required

All data is provided in good faith and is subject to change. If dimensions are critical please confirm before ordering.

Axiom Process specialises in customised fabrication of stainless steel components and systems

Tel: +44 (0)1792 883882 Web: www.axiumprocess.com Fax: +44 (0)1792 886049

SIGHTGLASSES



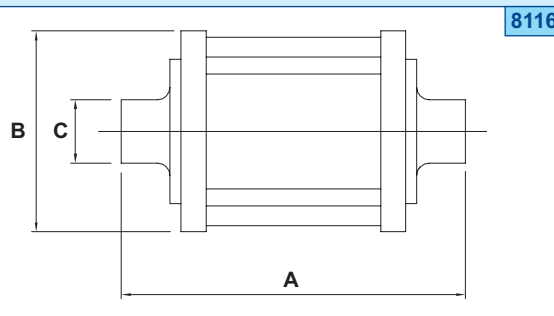
Designed for safe product visualisation

- 316L stainless steel/borosilicate glass contact parts
- Working temperature upto 200°C (depending on seal material used)
- Silicon seal as standard – EPDM & *Viton® options available
- Plain-ended or clamp options as standard – RJT, IDF, DIN, SMS options available
- All plastic or plastic/stainless steel design available for powder handling applications

We specialise in customised fabrication providing engineering solutions to customer specification

Nom Size	A	B	C
1"	165.0	55.0	1"
1 ½"	165.0	70.0	1 ½"
2"	165.0	85.0	2"
2 ½"	165.0	95.0	2 ½"
3"	165.0	105.0	3"
4"	165.0	140.0	4"

½" or ¾" clamp ended option available



We also stock clamp window type sightglasses which are designed for food processing and sterile applications

(*Viton® is a registered trademark of DuPont Dow Elastomers)

PIPE AND SADDLE CLIPS

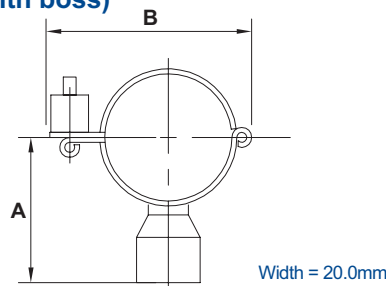


Secure vertical and horizontal support for tubular pipe work and process service lines

Plastic inserts (blue) assist with vibration damping

Hinged pipeclip - 304 (with boss)

0097

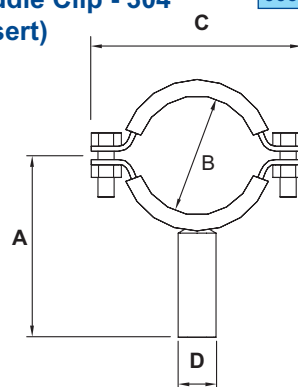


Nom Size	A	B
½"	38.0	58
¾"	42.0	62
1"	45.0	66
1 ½"	50.0	76
2"	60.0	88
2 ½"	64.0	102
3"	70.0	116
4"	80.0	145

1/2 inch BSPF support boss as standard-options include M10, no boss or weld stem

Saddle Clip - 304 (insert)

0099



Nom Size	A	B	C	D
½"	90	12.7	50.0	19
¾"	90	19.05	55.0	19
1"	90	25.4	61.0	19
1 ½"	90	38.0	74.0	19
2"	90	50.7	71.0	19
2 ½"	90	63.5	83.5	19
3"	90	76.2	96.0	19
4"	90	101.6	121.5	19
5"	90	127.0	147.0	19
6"	90	152.4	172.0	19

1/2 inch tubular weld stem support

All data is provided in good faith and is subject to change. If dimensions are critical please confirm before ordering.

Axium Process specialises in customised fabrication of stainless steel components and systems

Tel: +44 (0)1792 883882 Web: www.axiumprocess.com Fax: +44 (0)1792 886049

FABRICATED COMPONENTS TO CUSTOMER SPECIFICATION

- Adaptors, manifolds, Y pieces
- Butterfly, ball and sample valves
- Filters and sightglasses
- Jacketed pipework
- Tank and non standard ferrules
- Special bends, tees, hoseliners
- Tank manways
- Sprayballs and sprayball assemblies
- Flowplates

Design and Fabrication

Designing in accordance with ASME BPE principles, our emphasis is on best practice hygienic engineering. Capabilities include mirror polished hoppers, funnels, manifolds, flow plates, pharmaceutical ducting systems, CIP systems, integrated pipework, special component customisation, pressure vessels, frames and fully integrated customised manual and automatic hygienic process plant.

- Our welders are dual coded ASME IX / BS EN 287
- Manual and orbital welding
- In-house machining, fabrication and polishing
- Certificated surface finishes to 0.1µm Ra
- Only stainless steel fabricated on site



By offering a rapid response to your fabrication enquiries and stocking a comprehensive range of process equipment, we can meet your requirements in terms of delivery, quality and consistency

- Filters
- Sample Valves
- Sightglasses
- Manways
- Sprayballs
- Flanges
- Valves
- RJT, IDF, SMS, DIN, Clamp Unions
- Flexible Hoses

Axium Process Ltd

Hendy Industrial Estate, Hendy
Swansea, UK
SA4 0XP
Tel: +44 (0) 1792 883882
Fax: +44 (0) 1792 886049
Email: info@axiumprocess.com
Web: www.axiumprocess.com



FS 83081



All data is provided in good faith and is subject to change
Copyright 2006 Ref: Gen02-02