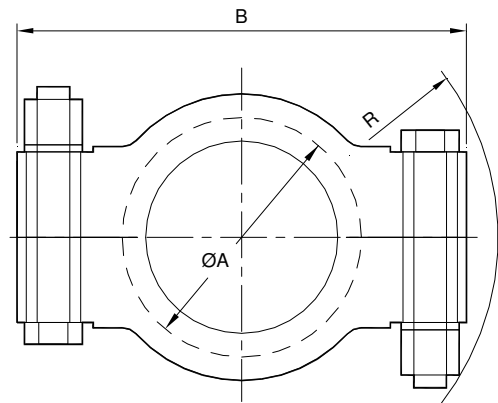


5023

**Clamp high pressure 304
BS4825***

Nom size	A	B	R	Max Op Pressure (bar) @ 120 C	Stock No
1/2" – 3/4"	25.4	65.0	37.0	82	5023-4013
*1"	50.5	103.0	64.0	82	5023-4026
*1 1/2"	50.5	103.0	64.0	82	5021-4026
*2"	64.0	113.0	73.0	82	5023-4051
*2 1/2"	77.5	128.0	80.0	73.8	5023-4064
*3"	91.0	137.0	86.0	65.6	5023-4076
*3 1/2"	106.0	150.0	94.0	57.4	5023-4089
*4"	119.0	165.0	102.0	49.2	5023-4102
4 1/2"	130.0	174.0	105.0	45.1	5023-4114
6"	167.0	240.0	130.0	41	5023-4154
6 5/8"	183.0	260.0	140.0	32.8	5023-4168
8 5/8"	233.0	318.0	168.0	24.6	5023-4219



Torque to 15Nm if 1/2", 27 Nm > 1/2"

TECHNICAL DATA

Associated Standards	*BS 4825-3 (1"-4" inclusive), ASME BPE 2009, ISO 1127 (2852), DIN 32676, SMS 3008
Material	304 Stainless Steel
Material Certification	BS EN 10204/DIN 50049 3.1 for all wetted parts
Finish	External 0.8Ra as standard
Pressure/Temperature	See above table
Tolerance	+/-1.0mm
Options	Supplied with brass nuts as standards
Clamp Fittings Range	Unions, ferrules, blanks, tees, bends, hoseliners, adaptors, concentric & eccentric reducers, Y pieces
Seals	FDA & USP Class VI approved polymers including EPDM, Nitrile, Silicone, Platinum Cured Silicone, Encapsulated & Solid PTFE, Viton® (Viton is a registered trade mark of Dupont Dow Elastomers).
Notes	Dimensions are provided in good faith. Seals must be chosen for required operating medium and temperature

GENERAL CAPABILITIES

Design and System Fabrication, Hygienic Process Plant, Project Management, In-house Manual and Orbital Welding, Machining, Fabrication and Polishing, Component Customisation
Full materials certification, weld maps, logs, welder qualifications and weld procedures, pickling, passivation and ferroxyl certification.

D5023-V04 ECN 725

CUSTOMISED STAINLESS STEEL SYSTEMS, FABRICATIONS AND COMPONENTS

Axium Process Ltd

Hendy Industrial Estate, Hendy, Swansea, UK SA4 0XP
 Tel: +44 (0) 1792 883882
 Fax: +44 (0) 1792 886049
 Email: info@axiumprocess.com
 Web: www.axiumprocess.com



All data is provided in good faith and is subject to change