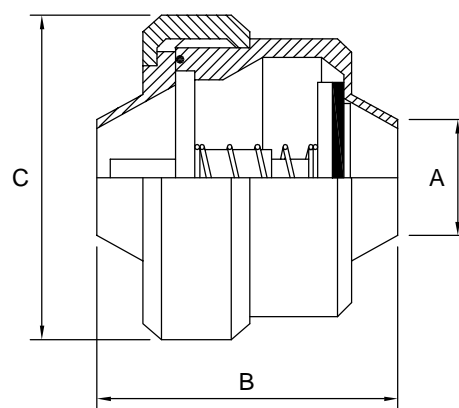


Plain-ended non return valve - 316L

Nom size	A	B	C	Max Op Pressure (bar) @ 20°C	Stock No
1"	25.4	87.8	65.0	10	8115-6026
1½"	38.2	106.3	80.0	10	8115-6038
2"	50.8	111.3	92.0	10	8115-6051
2½"	63.5	125.3	104.0	10	8115-6064
3"	76.2	128.0	130.0	10	8115-6076
4"	101.6	135.0	130.0	10	8115-6102



Technical Data:

- Material: 316L Stainless Steel
- Finish: 0.8RA or better
- Pressure: See above
- Associated standards:
- Applications : Spring loaded, are direction flow only, suitable for vertical and horizontal applications
- Tolerance: +/- 0.5mm
- Seals: Nitrile and Solid PTFE

- We also stock a comprehensive range of hygienic stainless steel fittings and components including tank manways, sightglasses, sprayballs, filters, as well as clamp, RJT, IDF, DIN, SMS, BSP, Flange, Plain-ended tube and pipe fittings
- Components can be fabricated to customer specification
- Fabrication capabilities include frameworks, skid mounted systems, manifolds, jacketed assemblies, adaptors, flowplates and spool pieces.
- In-house services include machining, welding, fabrication, polishing.

8115 - V01

NOTES

Axiom Process Ltd
Hendy Industrial Estate
Hendy, Swansea
SA4 0XP UK

- Dimensions are provided in good faith but maybe subject to change
- Seals must be chosen for required operating medium & temperature

(T) +44 (0)1792 883 882
 (F) +44 (0)1792 886 049
 (E) info@axiumprocess.com
 (W) www.axiumprocess.com

FORM No:FM002-V02