



Hygienic Stainless Steel Valves

Our range of 316/316L stainless steel valves includes butterfly and ball (both manual and automatic), pressure relief, non-return and our compact sample valve range designed for manual liquid sampling.

Used throughout the pharmaceutical, food and beverage, dairy, brewing, cosmetic and toiletries industries, our range of valves are available with end fittings in clamp, RJT, IDF, DIN, SMS, flanges and also available as plain-ended.

SAMPLE VALVES

Our range of manual sample valves has been developed with hygienic constraints in mind. As well as being an efficient method of taking manual samples, the valves can also be used as low holdup drain or vent valves.



- Associated standard – BS 4825 : Part 3 : 1991
- Material traceability to BS EN 10204 3.1
- Intrinsically safe design: prevents over-tightening or accidental plug removal
- 316L stainless steel, PTFE coated stem, Viton® 'O' ring
- Suitable for clean-in-place (CIP) and steam-in-place (SIP)

End Fitting options include Clamp, RJT, DIN, IDF, SMS and Plain-ended

1½" Clamp, 8mm Entry, Plain-ended - 316L

Single Port
Viton® 'O' ring

5503

Maximum Operating Pressure 10 Bar at 20°C

No of Ports	Nom Size	A	B	C	Code
Single	1" / 1½"	60.0	50.8	62	5503
Double	1" / 1½"	70.0	50.8	62	5532

Standard Finish 0.8 Ra OD (0.4 Ra option available)

Clamp seal options include: EPDM, Nitrile, Viton®, Silicone, Platinum Cured Silicone, Encapsulated and Solid PTFE

1½" Clamp, 8mm Entry, ½" Clamp - 316L

Double Port
Viton® 'O' ring

5533

Maximum Operating Pressure 10 Bar at 20°C

No of Ports	Nom Size	A	B	C	Code
Single	1" / 1½"	69.0	50.8	62	5531
Double	1" / 1½"	87.0	50.8	62	5533

Standard Finish 0.8 Ra OD (0.4 Ra option available)

Clamp seal options include: EPDM, Nitrile, Viton®, Silicone, Platinum Cured Silicone, Encapsulated and Solid PTFE

1½" Clamp, 4mm Entry Plain-ended - 316L

Single Port
Viton® 'O' ring

5500

Maximum Operating Pressure 10 Bar at 20°C

No of Ports	Nom Size	A	B	C	Code
Single	1" / 1½"	57.0	50.8	61	5500

Standard Finish 0.8 Ra OD (0.4 Ra option available)

Clamp seal options include: EPDM, Nitrile, Viton®, Silicone, Platinum Cured Silicone, Encapsulated and Solid PTFE

¾" Clamp, 3mm Entry - 316L

Single Port
Viton® 'O' ring

5534

Maximum Operating Pressure 10 Bar at 20°C

No of Ports	Nom Size	A	B	C	Code
Single	½" / ¾"	28.0	25.4	56.0	5534

Standard Finish 0.8 Ra OD (0.4 Ra option available)

Clamp seal options include: EPDM, Nitrile, Viton®, Silicone, Platinum Cured Silicone, Encapsulated and Solid PTFE

(*Viton® is a registered trademark of DuPont Dow Elastomers)

All data is provided in good faith and is subject to change. If dimensions are critical please confirm before ordering.

Axiom Process specialises in customised fabrication of stainless steel components and systems

Tel: +44 (0)1792 883882 Web: www.axiumprocess.com Fax: +44 (0)1792 886049

BUTTERFLY VALVES

Designed for manual or automatic simple on/off duties.

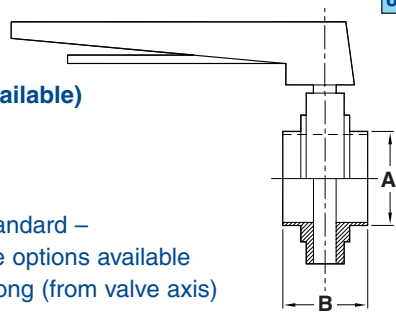


- Standard sizes 1" - 8"
- Material traceability to BS EN 10204 3.1
- Manufactured in 316L stainless steel as standard - 304 option available
- Up to 10 bar operating pressure (1" - 4" options)
- Up to 200°C working temperature depending upon seal material used
- Options for single or double feedbacks available using micro switches or proximity switches

End Fitting options include Clamp, RJT, DIN, IDF, SMS and Plain-ended

Plain-ended butterfly valve - 316L
(304 SS option available)

8126

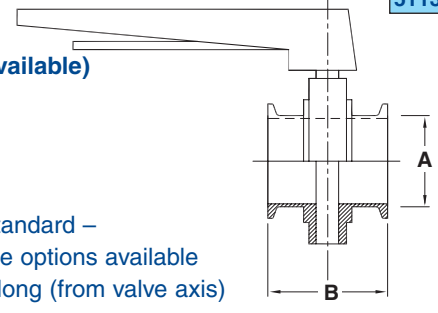


- EPDM seal as standard –
- *Viton® and silicone options available
- Handles 165mm long (from valve axis)

Nom Size	A	B
1"	25.4	68.0
1½"	38.1	76.0
2"	50.8	80.0
2½"	63.5	80.0
3"	76.2	82.0
4"	101.6	88.0

Clamp butterfly valve - 316L
(304 SS option available)

5113



- EPDM seal as standard –
- *Viton® and silicone options available
- Handles 165mm long (from valve axis)

Nom Size	A	B
1"	25.4	70.0
1½"	38.1	72.0
2"	50.8	80.0
2½"	63.5	80.0
3"	76.2	80.0
4"	101.6	90.0

BALL VALVES

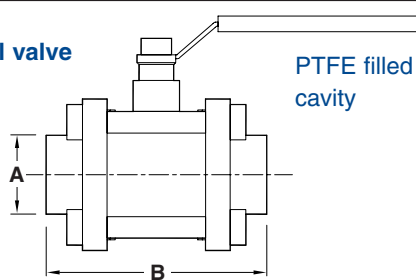
Designed for on/off duties - suitable for SIP and high pressure systems.

- Manual or actuated options with or without feedback
- Material traceability to BS EN 10204 3.1
- Up to 220°C operating temperature
- Up to 65 bar (½" - 2"), 50 bar (>2") operating pressure



End Fitting options include Clamp, RJT, DIN, IDF, SMS and Plain-ended

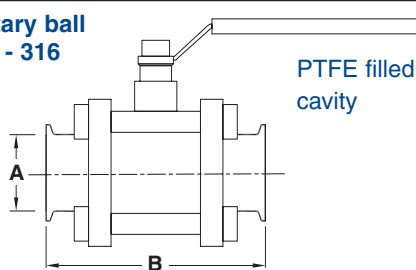
Plain-ended sanitary ball valve 3 part - 316
• PTFE seal



8124 Tested to 65 bar (½" - 2") and 50 bar (2½" - 4")

Nom Size	A	B
½"	12.7	89.0
¾"	19.1	101.0
1"	25.4	114.0
1 ½"	38.2	140.0
2"	50.8	156.0
2 ½"	63.5	197.0
3"	76.2	229.0
4"	101.6	243.0

Clamp sanitary ball valve 3 part - 316
• PTFE seal



5124 Tested to 65 bar (½" - 2") and 50 bar (2½" - 4")

Nom Size	A	B
½"	12.7	89.5
¾"	19.1	103.0
1"	25.4	114.5
1 ½"	38.2	138.5
2"	50.8	158.0
2 ½"	63.5	197.0
3"	76.2	228.0
4"	101.6	241.0

(*Viton® is a registered trademark of DuPont Dow Elastomers)

All data is provided in good faith and is subject to change. If dimensions are critical please confirm before ordering.

Axiom Process specialises in customised fabrication of stainless steel components and systems

Tel: +44 (0)1792 883882 Web: www.axiomprocess.com Fax: +44 (0)1792 886049

NON-RETURN VALVES

Low pressure drop in forward direction, suitable for vertical and horizontal flow applications.

- Manufactured in 316L stainless steel
- Material traceability to BS EN 10204 3.1
- 10 bar operating pressure
- Up to 220°C operating temperature (depending on seal material)



Photo illustrates clamp option

End Fitting options include Clamp, RJT, DIN, IDF, SMS and Plain-ended

Non-return valve Plain-ended - 316L (Spring operated) Shutter mechanism available for larger options 8185		Nom Size	A	B	C
		1"	25.4	87.8	65.0
		1½"	38.2	106.3	80.0
		2"	50.8	111.3	92.0
		2½"	63.5	125.3	104.0
		3"	76.2	128.0	130.0
		4"	101.6	135.0	130.0
Flow rates of up to 46,000 l/hr with 4" model PTFE head seal, nitrile body seal as standard					

PRESSURE RELIEF VALVES



Right angle design, provides pressure relief or can provide bypass at set pressure.

- Material traceability to BS EN 10204 3.1
- Adjustable pressure range 1 – 7 bar or up to 10 bar with special springs
- Hygienic spring cover

End Fitting options include Clamp, RJT, DIN, IDF, SMS and Plain-ended

Plain-ended pressure relief valve - 316L (304 SS option available) 8185		Nom Size	A	B
		1"	60.0	206.0
		1½"	60.0	217.0
		2"	70.0	232.0
		2½"	80.0	279.0
		3"	90.0	300.0
		Silicone head seal as standard (PTFE for high pressures) - Nitrile 'O' Ring		

By offering a rapid response to your fabrication enquiries and stocking a comprehensive range of process equipment, we can meet your requirements in terms of delivery, quality and consistency

- | | |
|---|---|
| <ul style="list-style-type: none"> • Filters • Sample Valves • Sightglasses • Manways | <ul style="list-style-type: none"> • Sprayballs • Flanges • Valves • RJT, IDF, SMS, DIN, Clamp Unions |
|---|---|

Axium Process Ltd

Hendy Industrial Estate, Hendy
 Swansea, UK
 SA4 0XP

Tel: +44 (0) 1792 883882

Fax: +44 (0) 1792 886049

Email: info@axiumprocess.com

Web: www.axiumprocess.com



FS 83081



All data is provided in good faith and is subject to change
 Copyright 2006 Ref:VAL03-02