

ECON-SCREEN - 75 Series

PERFORATED SHEET FILTER RANGE



Our 316L stainless steel, low cost perforated sheet strainer is designed as a low pressure drop 'last' chance filter before a pump or in-line instrument, as well as a strainer for coarse particle filtration.

Designed for full drainability, the Econ-Filter range has a 3" housing, "out to in" flow 316L stainless steel perforated screen and has standard inlet and outlet sizes of 1", 1½" and 2".



CUSTOMISED FILTERS

Our filters can be fabricated to customer specification and include a jacketed design for product heating or cooling, a duplex or multiplex option and a stand alone design complete with framework. Sample valves, drain or vent valves can be integrated into any of the options as can isolation or back flush valves if required.

Features:

- Material certification
- 90° and in-line options as standard
- Metal to metal seal – no 'O' ring
- Full welded, robust construction
- 1000, 2000, 3000 micron screen sizes
- Internal polish to 0.8 µm Ra as standard
- Rapid, single bolt screen change capability
- End connections to customer specification including plain-ended, clamp, DIN, SMS, RJT, IDF and BSP

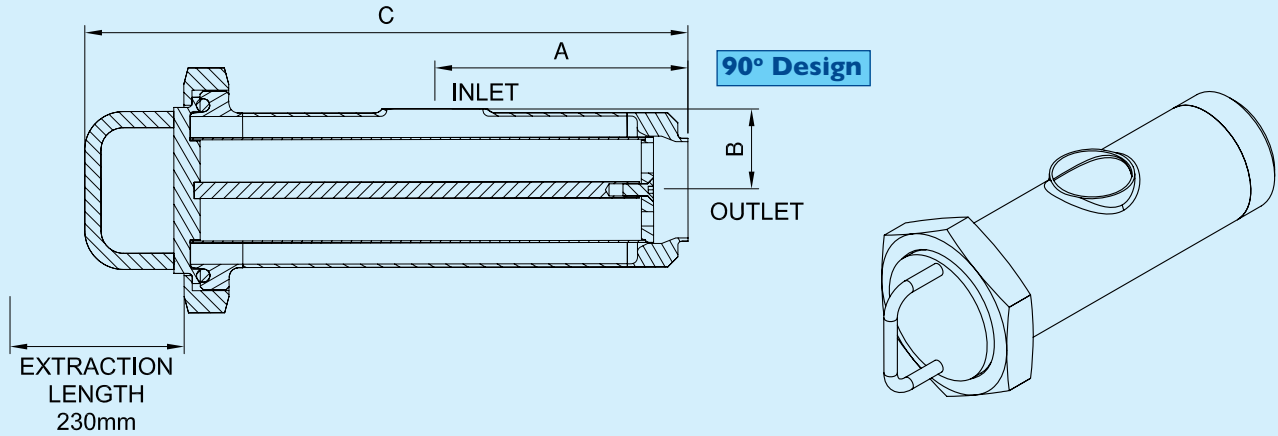
TECHNICAL DATA:

Material:	316L stainless steel contact parts
Finish:	0.8 µm Ra (internal and external), bead blasted and electropolished options available
Flow rates:	Up to 40,000 litres/hr on water depending on pressure drop and port size
Pressures:	System pressure up to 10 bar operating, differential pressure up to 5 bar
Operating temperature:	Up to 205°C dependent upon cap seal material
Cap seal:	Nitrile as standard. *Viton®, Silicone, EPDM and PTFE options available
Micron ratings:	1000, 2000, 3000 (nominal)
End connection:	Plain-ended ex-stock (RJT, IDF, DIN, SMS, BSP and Flange options available)
Standard connection sizes:	1", 1½", 2"

Our range of filters also includes the Pure-Screen wedge wire filter which has been designed for the pharmaceutical and biotech industries or for applications that require the ultimate specification in terms of design, finish and pressure rating.

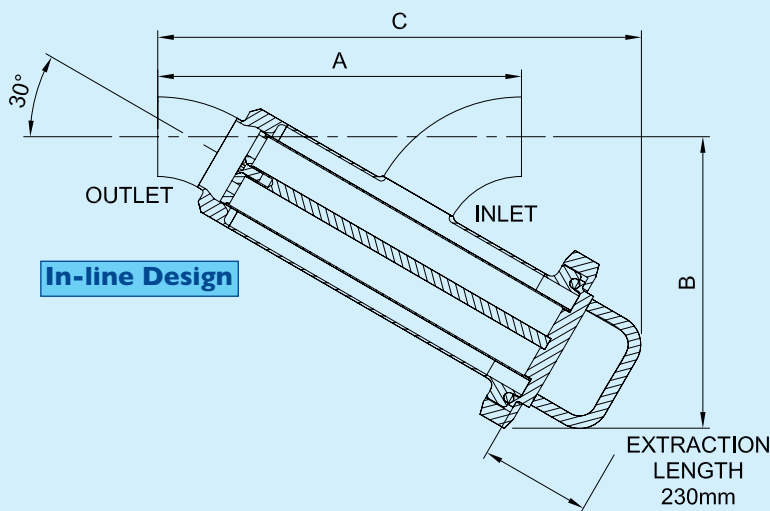
Econ-Screen: 90° type

Nominal Size	Plain-ended			Clamp			RJT (M/M)			DIN (M/M)			IDF (M/M)			SMS (M/M)		
	A	B	C	A	B	C	A	B	C	A	B	C	A	B	C	A	B	C
1"	125	40	300	147	62	322	147	62	322	158	73	330	147	62	322	145	60	320
1 1/2"	125	40	300	147	62	322	147	62	322	158	75	335	147	62	322	145	60	320
2"	125	40	300	147	62	322	147	62	322	158	85	345	147	62	322	149	64	324



Econ-Screen: In-line type

Nominal Size	Plain-ended			Clamp			RJT (M/M)			DIN (M/M)			IDF (M/M)			SMS (M/M)		
	A	B	C	A	B	C	A	B	C	A	B	C	A	B	C	A	B	C
1"	188	181	290	231	181	312	231	181	312	254	181	323	231	181	312	228	181	310
1 1/2"	210	184	297	253	184	319	253	184	319	276	184	330	253	184	319	250	184	317
2"	232	186	308	275	186	330	275	186	330	298	186	341	275	186	330	272	186	328



FILTER OPEN AREA

Micron rating (nominal)	cm ²
1000	82
2000	107
3000	117

Tube length mm	225
Tube diameter mm	52
Total filter area cm ²	368

Axium Process Ltd

Hendy Industrial Estate, Hendy
Swansea, UK

SA4 0XP

Tel: +44 (0) 1792 883882

Fax: +44 (0) 1792 886049

Email: info@axiumprocess.com

Web: www.axiumprocess.com



FS 83081



All data is provided in good faith and is subject to change
*Viton® is a registered trademark of DuPont Dow Elastomers

Copyright 2005 Ref: FIL02-01