

SAMPLE VALVES



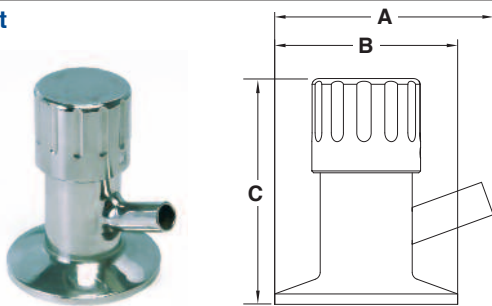
Connecting seals are available in a range of FDA approved polymers including EPDM, *Viton® Nitrile, Silicone, Encapsulated and solid PTFE. (*Viton® is a registered trademark of DuPont Dow Elastomers)

Our range of 316L stainless steel sample valves has been developed with hygienic constraints in mind.

- Associated standard: BS 4825: Part 3: 1991
- Material traceability to BS EN 10204 3.1
- Crevice free internal boot (FDA approved elastomer)
- Intrinsically safe design; prevents over-tightening or accidental plug removal
- Suitable for clean-in-place (CIP)

1½" Clamp, 8mm Entry, Plain-ended - 316L

Single Port



5503

Maximum Operating Pressure 10 Bar at 20°C

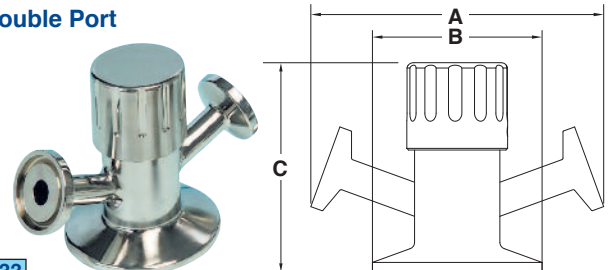
No of Ports	Nom Size	A	B	C	Code
Single	1" / 1½"	60.0	50.5	64.5	5503
Double	1" / 1½"	70.0	50.5	64.5	5532

Standard Finish 0.8 Ra OD (0.4 Ra option available)

Pressure / Temperature: 10 Bar / 0 - 100°C operating temperature

1½" Clamp, 8mm Entry, ½" Clamp - 316L 4mm entry also available

Double Port



5533

Maximum Operating Pressure 10 Bar at 20°C

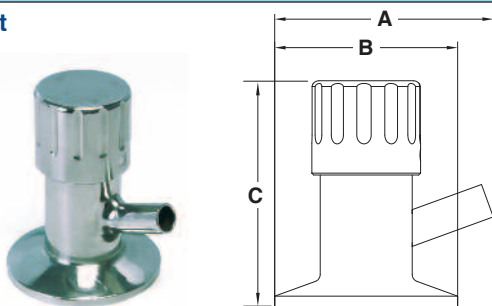
No of Ports	Nom Size	A	B	C	Code
Single	1" / 1½"	69.0	50.5	64.5	5531
Double	1" / 1½"	88.0	50.5	64.5	5533

Standard Finish 0.8 Ra OD (0.4 Ra option available)

Pressure / Temperature: 10 Bar / 0 - 100°C operating temperature

1½" Clamp, 4mm Entry Plain-ended - 316L

Single Port



5500

Maximum Operating Pressure 10 Bar at 20°C

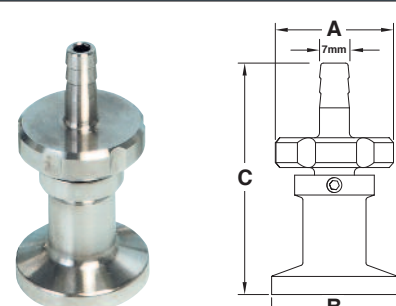
No of Ports	Nom Size	A	B	C	Code
Single	1" / 1½"	60.0	50.5	64.5	5500
Double	1" / 1½"	70.0	50.5	64.5	5537

Standard Finish 0.8 Ra OD (0.4 Ra option available)

Pressure / Temperature: 10 Bar / 0 - 100°C operating temperature

¾" Clamp, 3mm Entry - 316L

Single Port



5534

Maximum Operating Pressure 10 Bar at 20°C

No of Ports	Nom Size	A	B	C	Code
Single	½" / ¾"	24.0	25.4	47.0	5534

Standard Finish 0.8 Ra OD (0.4 Ra option available)

Pressure / Temperature: 10 Bar / 0 - 100°C operating temperature



We can provide colour coded handles for accurate identification of pipeline sample points and reduced heat transfer to the hand.

Axium Process specialises in customised fabrication of stainless steel components and systems

All data is provided in good faith and is subject to change. If dimensions are critical please confirm before ordering.

Tel: +44 (0)1792 883882 Fax: +44 (0)1792 886049

Web: www.axiumprocess.com