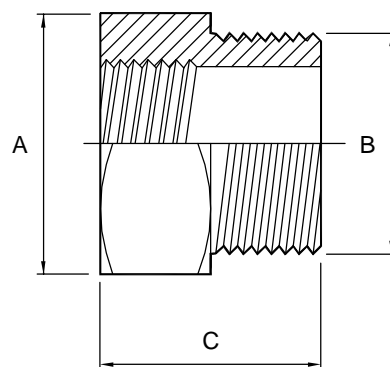


## BSPT hex reducing bush - 316

Nom size	A	B BSPT	C	Max Op @ 150°C Pressure (bar)	Stock No
1/8"	-	1/8"	-	10	6108-5003
1/4"	15.2	1/4"	17.4	10	6108-5006
3/8"	20.8	3/8"	17.4	10	6108-5009
1/2"	23.3	1/2"	22.2	10	6108-5013
3/4"	28.0	3/4"	23.8	10	6108-5019
1"	35.3	1"	30.1	10	6108-5026
1 1/4"	47.2	1 1/4"	35.0	10	6108-5031
1 1/2"	52.0	1 1/2"	36.5	10	6108-5038
2"	63.5	2"	41.2	10	6108-5051
2 1/2"	79.3	2 1/2"	46.0	10	6108-5064
3"	92.0	3"	27.0	10	6108-5076



### Technical Data:

- |  |  |
|--|--|
| <ul style="list-style-type: none"> <li>Material: 316 Stainless Steel</li> <li>Finish: Descaled</li> <li>Pressure/Temperature: See above</li> <li>Associated standards: BS 1740, BS1387</li> <li>Applications : Non-hygienic</li> </ul> | <ul style="list-style-type: none"> <li>Tolerance: +/- 0.5mm</li> <li>Seals: PTFE Tape</li> </ul> |
|--|--|

- We stock a comprehensive range of BSP fittings including unions, ferrules, bends, tees, reducers, hoseliners and adaptors
- Components can be fabricated to customer specification
- Fabrication capabilities include frameworks, skid mounted systems, manifolds, jacketed assemblies, adaptors, flowplates and spool pieces.
- In-house services include machining, welding, fabrication, polishing.

D6108 – V01

### NOTES

FORM No:FM002-V02

Axium Process Ltd  
Hendy Industrial Estate  
Hendy, Swansea  
SA4 0XP UK

- Dimensions are provided in good faith but maybe subject to change
- Seals must be chosen for required operating medium & temperature

(T) +44 (0)1792 883 882  
 (F) +44 (0)1792 886 049  
 (E) [info@axiumprocess.com](mailto:info@axiumprocess.com)  
 (W) [www.axiumprocess.com](http://www.axiumprocess.com)