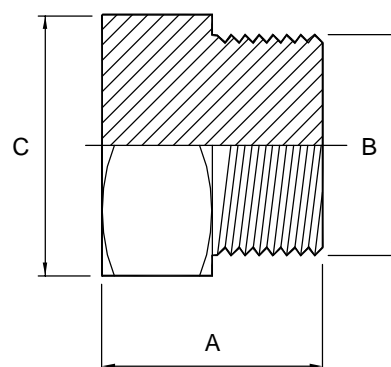


## BSPT hex plug, cast - 316

Nom size	A	B BSPT	C	Max Op @ 150°C Pressure (bar)	Stock No
1/8"	12.7	1/8"	13.3	10	6106-5003
1/4"	17.5	1/4"	15.2	10	6106-5006
3/8"	17.5	3/8"	20.8	10	6106-5009
1/2"	22.2	1/2"	23.3	10	6106-5013
3/4"	23.8	3/4"	30.5	10	6106-5019
1"	27.0	1"	37.6	10	6106-5026
1 1/4"	-	1 1/4"	-	10	6106-5031
1 1/2"	-	1 1/2"	-	10	6106-5038
2"	-	2"	-	10	6106-5051
2 1/2"	-	2 1/2"	-	10	6106-5064
3"	-	3"	-	10	6106-5076
4"	-	4"	-	10	6106-5102



### Technical Data:

- Material: 316 Stainless Steel
- Finish: Descaled
- Pressure/Temperature: See above
- Associated standards: BS1740, BS1387
- Applications : Non-hygienic
- Tolerance: +/- 0.5mm
- Seals: PTFE Tape

- We stock a comprehensive range of BSP fittings including unions, ferrules, bends, tees, reducers, hoseliners and adaptors
- Components can be fabricated to customer specification
- Fabrication capabilities include frameworks, skid mounted systems, manifolds, jacketed assemblies, adaptors, flowplates and spool pieces.
- In-house services include machining, welding, fabrication, polishing.

D6106 – V01

### NOTES

FORM No:FM002-V02

Axium Process Ltd  
Hendy Industrial Estate  
Hendy, Swansea  
SA4 0XP UK

- Dimensions are provided in good faith but maybe subject to change
- Seals must be chosen for required operating medium & temperature

 +44 (0)1792 883 882  
 +44 (0)1792 886 049  
 [info@axiumprocess.com](mailto:info@axiumprocess.com)  
 [www.axiumprocess.com](http://www.axiumprocess.com)