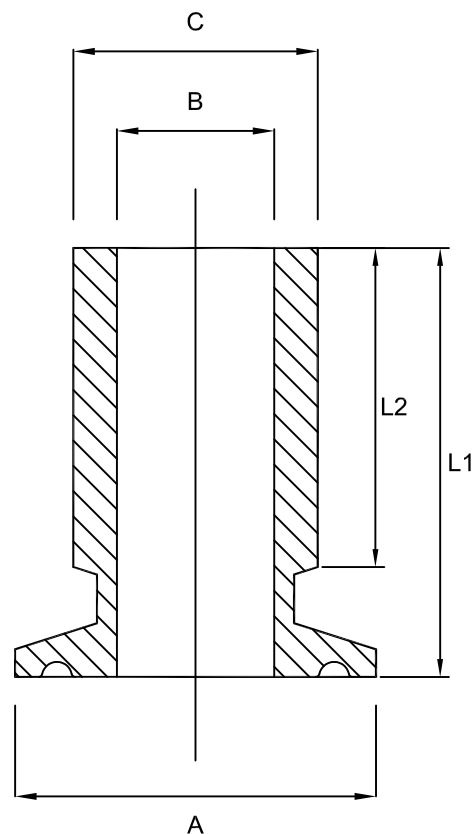


Clamp thick walled tank ferrule BS4825*

Nom size	A	B	C	L1	L2	Max Op Pressure (bar) @ 150°C	Stock No
*1"	50.0	22.2	34.2	60.0	45	50	5218-6026
*1½"	50.5	34.9	47.0	60.0	45	50	5218-6038
*2"	64.0	47.6	59.6	60.0	45	50	5218-6051
*2½"	77.5	60.3	72.3	60.0	45	50	5218-6064
*3"	91.0	73.0	85.0	60.0	45	40	5218-6076
*4"	119.0	97.6	109.6	60.0	45	35	5218-6102
6"	167.0	150.0	162.0	60.0	45	30	5218-6154



Technical Data:

- Material: 316L Stainless Steel
- Finish: 0.8RA or better
- Pressure/Temperature: See above (temp according to seal material)
- Associated standards: BS 4825 : Part 3 : 1991 (1" to 4" inclusive)
- Applications : Clamp fittings are suitable for beverage, fine chemical, pharmaceutical and biotech applications, where crevice free conditions are critical.
- Tolerance: +/- 0.5mm
- Seals: EPDM, Nitrile, Silicone, Platinum Cured Silicone, Encapsulated & Solid PTFE, Viton®
Viton® is a registered trademark of DuPont Dow Elastomers

- We stock a comprehensive range of clamp fittings including unions, ferrules, bends, tees, reducers, hoseliners and adaptors
- Components can be fabricated to customer specification
- Fabrication capabilities include frameworks, skid mounted systems, manifolds, jacketed assemblies, adaptors, flowplates and spool pieces.
- In-house services include machining, welding, fabrication, polishing.

D5218-V02

NOTES

- Dimensions are provided in good faith but maybe subject to change
- Seals must be chosen for required operating medium & temperature