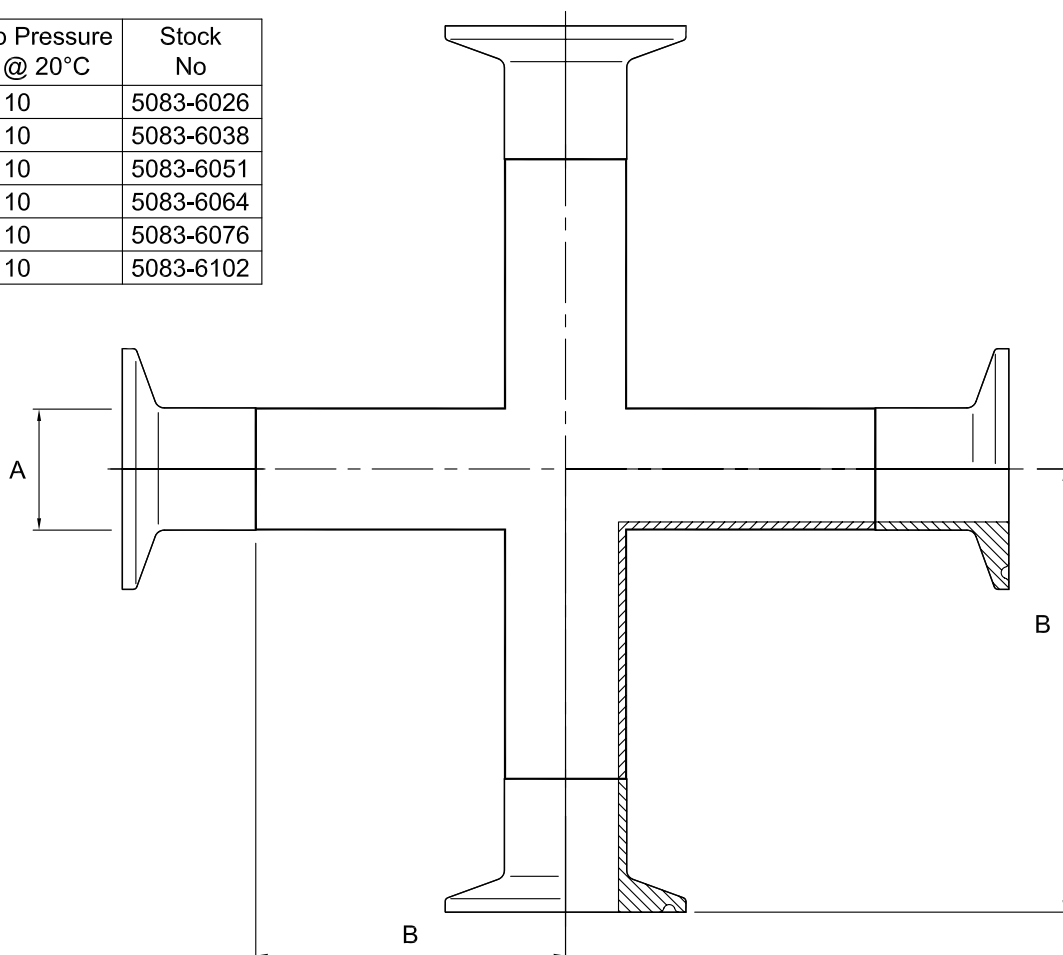


Clamp equal cross piece - 316L

Nom size	A	B	Max Op Pressure (bar) @ 20°C	Stock No
1"	25.4	86.5	10	5083-6026
1½"	38.1	106.5	10	5083-6038
2"	50.8	131.5	10	5083-6051
2½"	63.5	156.5	10	5083-6064
3"	76.2	176.5	10	5083-6076
4"	101.6	216.5	10	5083-6102



Technical Data:

- Material: 316L Stainless Steel
- Finish: 0.8RA or better
- Pressure/Temperature: See above (temp according to seal material)
- Associated standards: BS 4825 : Part 3 : 1991 (1" to 4" inclusive)
- Applications : Clamp fittings are suitable for beverage, fine chemical, pharmaceutical and biotech applications, where crevice free conditions are critical.
- Seals: EPDM, Silicone, Viton®, Nitrile, Encapsulated & Solid PTFE

- We stock a comprehensive range of plain-ended fittings including bends, tees, reducers, "Y" pieces, and hosetails
- Components can be fabricated to customer specification
- Fabrication capabilities include frameworks, skid mounted systems, manifolds, jacketed assemblies, adaptors, flowplates and spool pieces.
- In-house services include machining, welding, fabrication, polishing.

D5083-V01

NOTES

- Dimensions are provided in good faith but maybe subject to change
- Seals must be chosen for required operating medium & temperature

(T) +44 (0)1792 883 882
 (F) +44 (0)1792 886 049
 (E) info@axiumprocess.com
 (W) www.axiumprocess.com