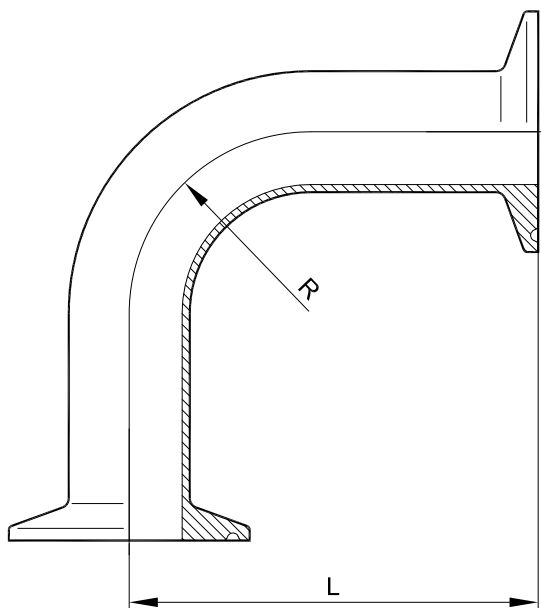


# Clamp bend 90 deg Long 316L BS4825\*

Nom size	L	R	Rad D	Max Recommended Op Pressure (bar) @ 150°C	Stock No
1"	86.5	38.1	1.5D	10	5076-6026
1½"	106.5	57.2	1.5D	10	5076-6038
2"	131.5	76.2	1.5D	10	5076-6051
2½"	156.5	95.3	1.5D	10	5076-6064
3"	176.5	114.3	1.5D	10	5076-6076
4"	216.5	152.4	1.5D	10	5076-6102

92° and 88° options available



### Technical Data:

- Material: 316L Stainless Steel
- Finish: Descaled ID, Polished 0.8Ra OD (0.4Ra available)
- Pressure/Temperature: See above (temp according to seal material)
- Associated standards: BS 4825 : Part 3 : 1991 (1" to 4" inclusive)
- Applications : Clamp fittings are suitable for beverage, fine chemical, pharmaceutical and biotech applications, where crevice free conditions are critical.
- Tolerance: +/- 0.5mm
- Seals: EPDM, Nitrile, Silicone, Platinum Cured Silicone, Encapsulated & Solid PTFE, Viton®  
Viton® is a registered trademark of DuPont Dow Elastomers

- We stock a comprehensive range of clamp fittings including unions, ferrules, bends, tees, reducers, hoseliners and adaptors
- Components can be fabricated to customer specification
- Fabrication capabilities include frameworks, skid mounted systems, manifolds, jacketed assemblies, adaptors, flowplates and spool pieces.
- In-house services include machining, welding, fabrication, polishing.

D5076 - V01

### NOTES

- Dimensions are provided in good faith but maybe subject to change
- Seals must be chosen for required operating medium & temperature