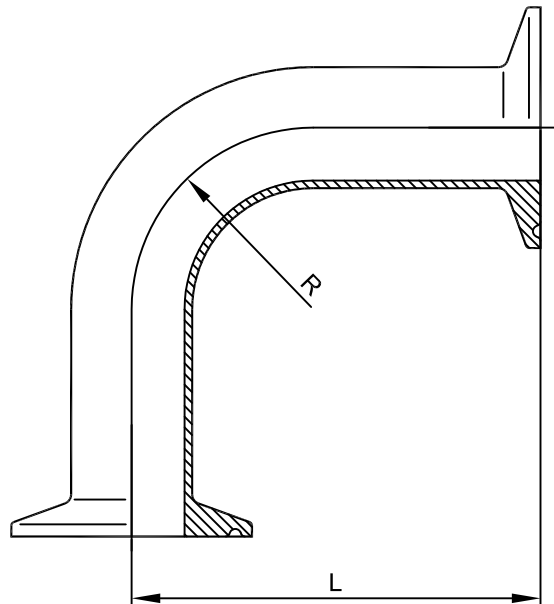


# Clamp bend 90 deg 316L BS4825\*

Nom size	L	R	Max Recommended Op Pressure (bar) @ 150°C	Stock No
1/2"	81.5	38.1	10	5072-6013
3/4"	81.5	38.1	10	5072-6019
1"*	86.5	38.1	10	5072-6026
1½"*	106.5	57.2	10	5072-6038
2"*	131.5	76.2	10	5072-6051
2½"*	156.5	95.3	10	5072-6064
3"*	176.5	114.3	10	5072-6076
4"*	216.5	152.4	10	5072-6102

92° and 88° options available



### Technical Data:

- |   |   |
|---|---|
| <ul style="list-style-type: none"> <li>Material: 316L Stainless Steel</li> <li>Finish: Descaled ID, Polished 0.8Ra OD (0.4Ra available)</li> <li>Pressure/Temperature: See above (temp according to seal material)</li> <li>Associated standards: BS 4825 : Part 3 : 1991 (1" to 4" inclusive)</li> </ul> | <ul style="list-style-type: none"> <li>Tolerance: +/- 0.5mm</li> <li>Seals: EPDM, Nitrile, Silicone, Platinum Cured Silicone, Encapsulated &amp; Solid PTFE, Viton®<br/><small>Viton® is a registered trademark of DuPont Dow Elastomers</small></li> </ul> |
| <ul style="list-style-type: none"> <li>Applications : Clamp fittings are suitable for beverage, fine chemical, pharmaceutical and biotech applications, where crevice free conditions are critical.</li> </ul>  |   |

- We stock a comprehensive range of clamp fittings including unions, ferrules, bends, tees, reducers, hoseliners and adaptors
- Components can be fabricated to customer specification
- Fabrication capabilities include frameworks, skid mounted systems, manifolds, jacketed assemblies, adaptors, flowplates and spool pieces.
- In-house services include machining, welding, fabrication, polishing.

D5072 - V02

### NOTES

- Dimensions are provided in good faith but maybe subject to change
- Seals must be chosen for required operating medium & temperature

(T) +44 (0)1792 883 882  
 (F) +44 (0)1792 886 049  
 (E) info@axiumprocess.com  
 (W) www.axiumprocess.com