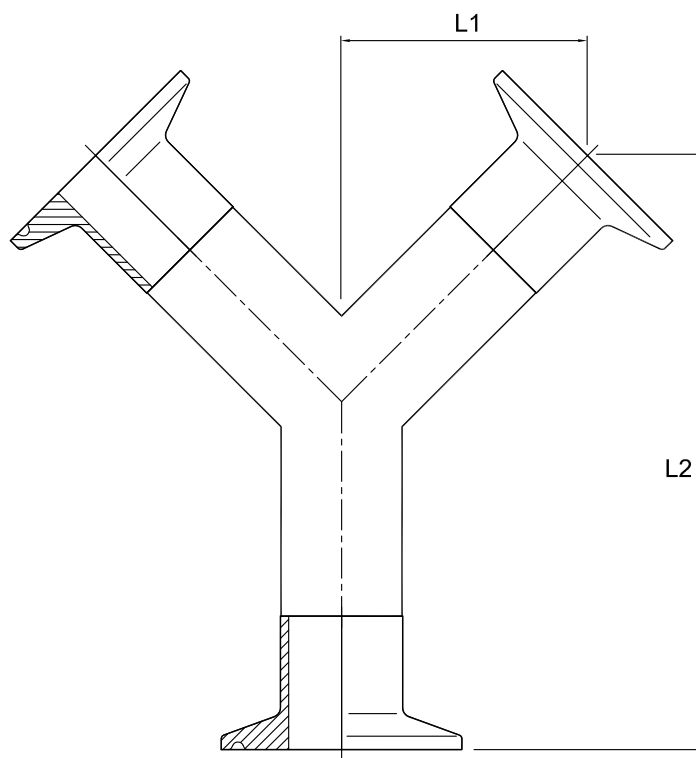


Clamp Y piece - 316L BS4825

Nom size	L1	L2	Stock No
0.5"	31.1	75.1	5061-6013
0.75"	38.8	93.8	5061-6019
1"	47.0	113.5	5061-6026
1½"	63.0	152.0	5061-6038
2"	78.8	190.3	5061-6051
2½"	94.8	228.8	5061-6064
3"	110.7	267.3	5061-6076
4"	142.5	344.0	5061-6102

Other sizes available



Technical Data:

- | | |
|--|---|
| <ul style="list-style-type: none"> Material: 316L Stainless Steel Finish: 0.8RA or better Pressure/Temperature: See above (temp according to seal material) Associated standards: BS 4825 : Part 3 : 1991 (1" to 4" inclusive) | <ul style="list-style-type: none"> Tolerance: +/- 0.5mm Seals: EPDM, Nitrile, Silicone, Platinum Cured Silicone, Encapsulated & Solid PTFE, Viton®
<small>Viton® is a registered trademark of DuPont Dow Elastomers</small> |
| <ul style="list-style-type: none"> Applications : Clamp fittings are suitable for beverage, fine chemical, pharmaceutical and biotech applications, where crevice free conditions are critical. | |

- We stock a comprehensive range of clamp fittings including unions, ferrules, bends, tees, reducers, hoseliners and adaptors
- Components can be fabricated to customer specification
- Fabrication capabilities include frameworks, skid mounted systems, manifolds, jacketed assemblies, adaptors, flowplates and spool pieces.
- In-house services include machining, welding, fabrication, polishing.

D5061-V03

NOTES

- Dimensions are provided in good faith but maybe subject to change
- Seals must be chosen for required operating medium & temperature

(T) +44 (0)1792 883 882
 (F) +44 (0)1792 886 049
 (E) info@axiumprocess.com
 (W) www.axiumprocess.com