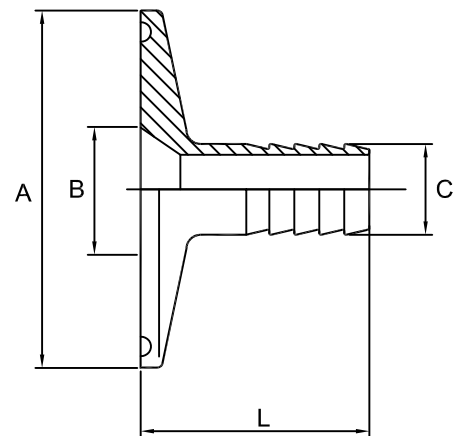


Clamp hoseliner 316L (machined from solid) BS4825*

| Nom size | A | B | C | L | Max Recommended Op Pressure (bar) @ 150°C | Stock No |
|----------------|-------|------|-------|-------|---|---------------|
| 1/2"-10mm | 25.4 | 10.0 | 10.0 | 32.0 | 10 | 5059-6013-010 |
| 1/2"-1/2" | 25.4 | 10.0 | 12.7 | 32.0 | 10 | 5059-6013 |
| 3/4"-3/4" | 25.4 | 16.0 | 19.05 | 32.0 | 10 | 5059-6019 |
| 1"*-10mm | 50.5 | 22.5 | 10.0 | 40.0 | 10 | 5059-6026-010 |
| 1"*-1/2" | 50.5 | 22.5 | 12.7 | 40.0 | 10 | 5059-6026-013 |
| 1"*-5/8" | 50.5 | 22.5 | 15.87 | 40.0 | 10 | 5059-6026-016 |
| 1"*-3/4" | 50.5 | 22.5 | 19.05 | 40.0 | 10 | 5059-6026-019 |
| 1"*-1" | 50.5 | 22.5 | 25.4 | 40.0 | 10 | 5059-6026 |
| 1 1/2"*-1 1/2" | 50.5 | 35.0 | 38.1 | 40.0 | 10 | 5059-6038 |
| 2"*-2" | 64.0 | 48.0 | 50.8 | 60.0 | 10 | 5059-6051 |
| 2 1/2"*-2 1/2" | 77.5 | 60.0 | 63.5 | 70.0 | 10 | 5059-6064 |
| 3"*-3" | 91.0 | 73.0 | 76.2 | 80.0 | 10 | 5059-6076 |
| 4"*-4" | 119.0 | 97.5 | 101.6 | 100.0 | 10 | 5059-6102 |



Reducing hoseliners stocked in various sizes including
1/2" x 1/4", 1" x 1/4", 1" x 1/2", 2" x 1/2"

Technical Data:

- | | |
|--|---|
| <ul style="list-style-type: none"> Material: 316L Stainless Steel Finish: 0.8RA or better Pressure/Temperature: See above (temp according to seal material) Associated standards: BS 4825 : Part 3 : 1991 (1" to 4" inclusive) | <ul style="list-style-type: none"> Tolerance: +/- 0.5mm Seals: EPDM, Nitrile, Silicone, Platinum Cured Silicone, Encapsulated & Solid PTFE, Viton® <small>Viton® is a registered trademark of DuPont Dow Elastomers</small> |
| <ul style="list-style-type: none"> Applications : Clamp fittings are suitable for beverage, fine chemical, pharmaceutical and biotech applications, where crevice free conditions are critical. | |

- We stock a comprehensive range of clamp fittings including unions, ferrules, bends, tees, reducers, hoseliners and adaptors
- Components can be fabricated to customer specification
- Fabrication capabilities include frameworks, skid mounted systems, manifolds, jacketed assemblies, adaptors, flowplates and spool pieces.
- In-house services include machining, welding, fabrication, polishing.

D5059 - V04

NOTES

- Dimensions are provided in good faith but maybe subject to change
- Seals must be chosen for required operating medium & temperature

(T) +44 (0)1792 883 882
 (F) +44 (0)1792 886 049
 (E) info@axiumprocess.com
 (W) www.axiumprocess.com

Axium Process Ltd
 Hendy Industrial Estate
 Hendy, Swansea
 SA4 0XP
 UK