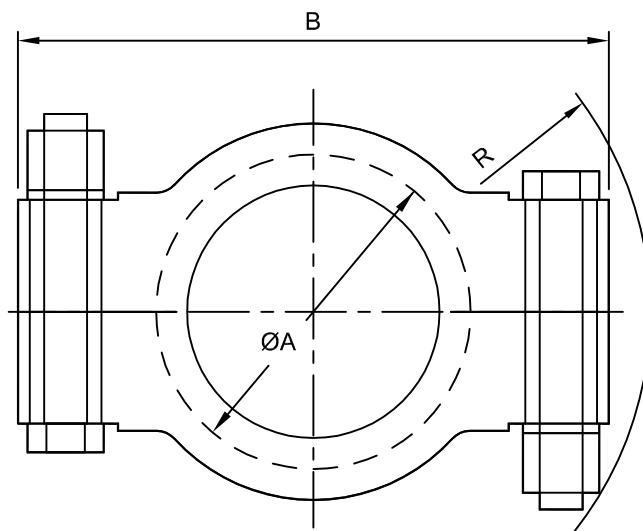


Clamp high pressure - 304 BS4825*

Nom size	A	B	R	Max Op Pressure (bar) @ 120°C	Stock No
1/2-3/4"	25.4	65.0	37.0	82	5023-4026
*1"	50.5	103.0	64.0	82	5023-4026
*1½"	50.0	103.0	64.0	82	5023-4026
*2"	64.0	113.0	73.0	82	5023-4051
*2½"	77.5	128.0	80.0	73.8	5023-4064
*3"	91.0	137.0	86.0	65.6	5023-4076
3½"	106.0	150.0	94.0	57.4	5023-4089
*4"	119.0	165.0	102.0	49.2	5023-4102
4½"	130.0	174.0	105.0	45.1	5023-4114
6"	167.0	240.0	130.0	41	5023-4154
6 5/8"	183.0	260.0	140.0	32.8	5023-4168
8 5/8"	233.0	318.0	168.0	24.6	5023-4219

Torque to 15Nm if 1/2", 27 Nm >1/2"



Technical Data:

- | | |
|---|---|
| <ul style="list-style-type: none"> Material: 304 Stainless Steel (also available in 316) Finish: 0.8RA or better Pressure/Temperature: See above (temp according to seal material) Associated standards: BS 4825 : Part 3 : 1991 (1" to 4" inclusive) | <ul style="list-style-type: none"> Tolerance: +/- 0.5mm Seals: EPDM, Nitrile, Silicone, Platinum Cured Silicone, Encapsulated & Solid PTFE, Viton®
<small>Viton® is a registered trademark of DuPont Dow Elastomers</small> |
| <ul style="list-style-type: none"> Applications : Clamp fittings are suitable for beverage, fine chemical, pharmaceutical and biotech applications, where crevice free conditions are critical. | |

- We stock a comprehensive range of clamp fittings including unions, ferrules, bends, tees, reducers, hoseliners and adaptors
- Components can be fabricated to customer specification
- Fabrication capabilities include frameworks, skid mounted systems, manifolds, jacketed assemblies, adaptors, flowplates and spool pieces.
- In-house services include machining, welding, fabrication, polishing.

D5023 - V03/ECN 705

NOTES

- Dimensions are provided in good faith but maybe subject to change
- Seals must be chosen for required operating medium & temperature

(T) +44 (0)1792 883 882
 (F) +44 (0)1792 886 049
 (E) info@axiumprocess.com
 (W) www.axiumprocess.com