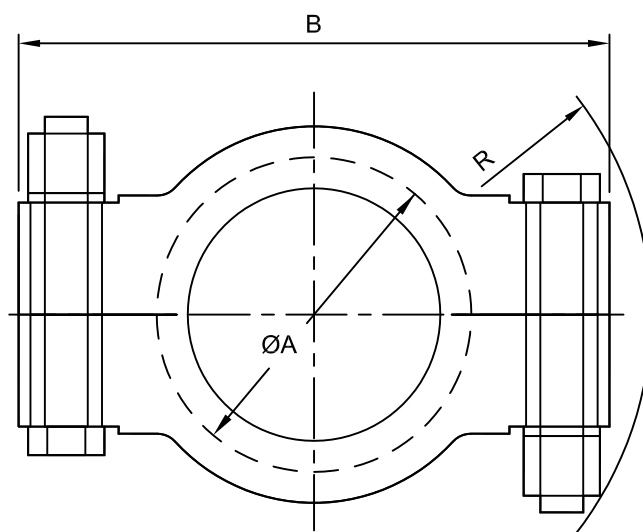


Clamp high pressure - 304 BS4825*

Nom size	A	B	R	Max Op Pressure (bar) @ 120°C	Stock No
1/2-3/4"	25.0	65.0	35.0	82	5023-4026
*1"	50.0	103.0	60.0	82	5023-4026
*1½"	50.0	103.0	60.0	82	5023-4026
*2"	64.0	113.0	67.0	82	5023-4051
*2½"	77.0	128.0	75.0	73.8	5023-4064
*3"	91.0	137.0	80.0	65.6	5023-4076
3½"	106.0	150.0	88.0	57.4	5023-4089
*4"	119.0	165.0	93.0	49.2	5023-4102
4½"	130.0	190.0	110.0	45.1	5023-4114
6"	167.0	236.0	130.0	41	5023-4154
6 5/8"	183.0	253.0	140.0	32.8	5023-4168
8 5/8"	233.0	304.0	160.0	24.6	5023-4219

Torque to 15Nm if 1/2", 27 Nm >1/2"



Technical Data:

- Material: 304 Stainless Steel (also available in 316)
- Finish: 0.8RA or better
- Pressure/Temperature: See above (temp according to seal material)
- Associated standards: BS 4825 : Part 3 : 1991 (1" to 4" inclusive)
- Applications : Clamp fittings are suitable for beverage, fine chemical, pharmaceutical and biotech applications, where crevice free conditions are critical.
- Tolerance: +/- 0.5mm
- Seals: EPDM, Nitrile, Silicone, Platinum Cured Silicone, Encapsulated & Solid PTFE, Viton®
Viton® is a registered trademark of DuPont Dow Elastomers

- We stock a comprehensive range of clamp fittings including unions, ferrules, bends, tees, reducers, hoseliners and adaptors
- Components can be fabricated to customer specification
- Fabrication capabilities include frameworks, skid mounted systems, manifolds, jacketed assemblies, adaptors, flowplates and spool pieces.
- In-house services include machining, welding, fabrication, polishing.

D5023 - V02

NOTES

- Dimensions are provided in good faith but maybe subject to change
- Seals must be chosen for required operating medium & temperature