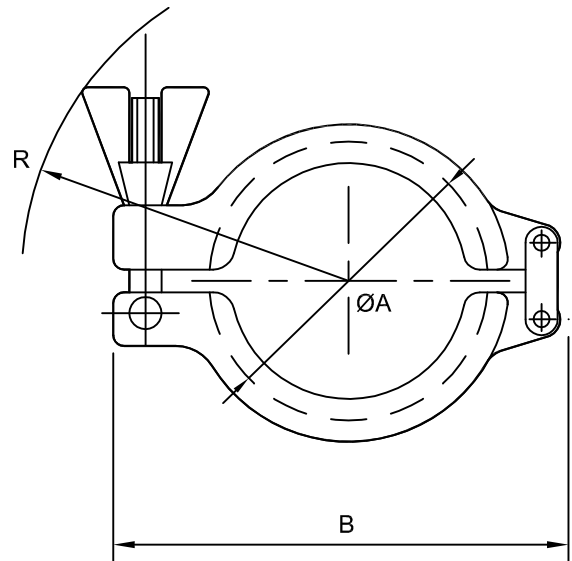


Clamp heavy duty - imperial - 316 BS4825

Nom size	A	B	R	Max Op Pressure (bar) @ 150°C	Stock No
1/2"	25.4	75.0	63.0	50	5021-5013
3/4"	25.4	75.0	63.0	50	5021-5013
1"	50.5	102.0	77.0	50	5021-5026
1½"	50.5	102.0	77.0	50	5021-5026
2"	64.0	123.0	93.0	50	5021-5051
2½"	77.5	140.0	100.0	50	5021-5064
3"	91.0	150.0	106.0	40	5021-5076
3½"	106.0	165.0	113.0	40	5021-5089
4"	119.0	185.0	119.0	35	5021-5102
4½"	130.0	191.0	128.0	30	5021-5114
5"	144.0	215.0	132.0	30	5021-5127
5½"	155.0	252.0	148.0	30	5021-5140
6"	167.0	262.0	152.0	30	5021-5154
6 5/8"	183.0	280.0	157.0	25	5021-5168
8"	217.0	325.0	182.0	20	5021-5204
8 5/8"	233.0	333.0	188.0	20	5021-5219
10"	268.0	382.0	207.0	16	5021-5254
10 5/8"	286.1	405.0	216.0	16	5021-5270
12"	319.0	458.0	242.0	10	5021-5305
12 5/8"	338.0	463.0	244.0	10	5021-5331



Double wing nut design available for sizes 5 1/2" upwards

Technical Data:

<ul style="list-style-type: none"> Material: 316L Stainless Steel Finish: 0.8RA or better Pressure/Temperature: See above (temp according to seal material) Associated standards: BS 4825 : Part 3 : 1991 (1" to 4" inclusive) 	<ul style="list-style-type: none"> Tolerance: +/- 0.5mm Seals: EPDM, Nitrile, Silicone, Platinum Cured Silicone, Encapsulated & Solid PTFE, Viton® <small>Viton® is a registered trademark of DuPont Dow Elastomers</small>
<ul style="list-style-type: none"> Applications : Clamp fittings are suitable for beverage, fine chemical, pharmaceutical and biotech applications, where crevice free conditions are critical. 	

- We stock a comprehensive range of clamp fittings including unions, ferrules, bends, tees, reducers, hoseliners and adaptors
- Components can be fabricated to customer specification
- Fabrication capabilities include frameworks, skid mounted systems, manifolds, jacketed assemblies, adaptors, flowplates and spool pieces.
- In-house services include machining, welding, fabrication, polishing.

D5021-V03/ECN 705

NOTES

- Dimensions are provided in good faith but maybe subject to change
- Seals must be chosen for required operating medium & temperature

Axium Process Ltd
Hendy Industrial Estate
Hendy, Swansea
SA4 0XP UK

(T) +44 (0)1792 883 882
 (F) +44 (0)1792 886 049
 (E) info@axiumprocess.com
 (W) www.axiumprocess.com