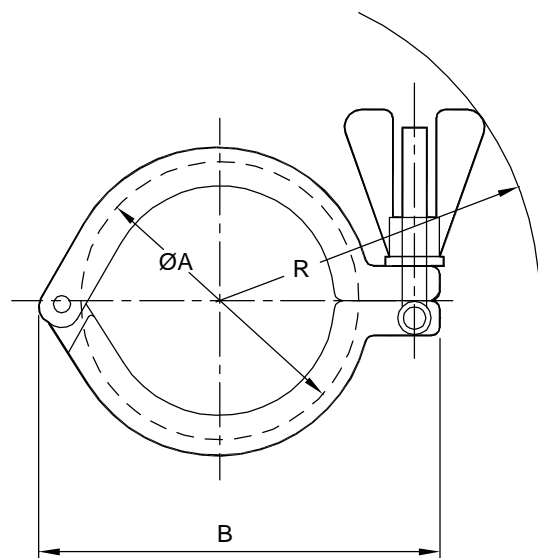


Clamp Light Duty 304 BS4825

Nom size	A	B	R	Max Op Pressure (bar) @ 20°C	Stock No
1/2"	25.0	63.0	60.0	10	5020-4013
3/4"	25.0	63.0	60.0	10	5020-4013
1"	50.0	78.0	85.0	10	5020-4026
1 1/2"	50.0	78.0	85.0	10	5020-4026
2"	64.0	82.0	99.0	10	5020-4051
2 1/2"	77.0	89.0	112.0	10	5020-4064
3"	91.0	96.0	126.0	10	5020-4076
4"	119.0	110.0	154.0	10	5020-4102



Technical Data:

- Material: 316L Stainless Steel
- Finish: 0.8RA or better
- Pressure/Temperature: See above (temp according to seal material)
- Associated standards: BS 4825 : Part 3 : 1991 (1" to 4" inclusive)
- Applications : Clamp fittings are suitable for beverage, fine chemical, pharmaceutical and biotech applications, where crevice free conditions are critical.
- Tolerance: +/- 0.5mm
- Seals: EPDM, Silicone, Viton®, Nitrile, Encapsulated & Solid PTFE

- We stock a comprehensive range of clamp fittings including unions, ferrules, bends, tees, reducers, hoseliners and adaptors
- Components can be fabricated to customer specification
- Fabrication capabilities include frameworks, skid mounted systems, manifolds, jacketed assemblies, adaptors, flowplates and spool pieces.
- In-house services include machining, welding, fabrication, polishing.

5020 - V01

FORM No:FM002-V02

NOTES

- Dimensions are provided in good faith but maybe subject to change
- Seals must be chosen for required operating medium & temperature

Axium Process Ltd
Hendy Industrial Estate
Hendy, Swansea
SA4 0XP UK

(T) +44 (0)1792 883 882
 (F) +44 (0)1792 886 049
 (E) info@axiumprocess.com
 (W) www.axiumprocess.com