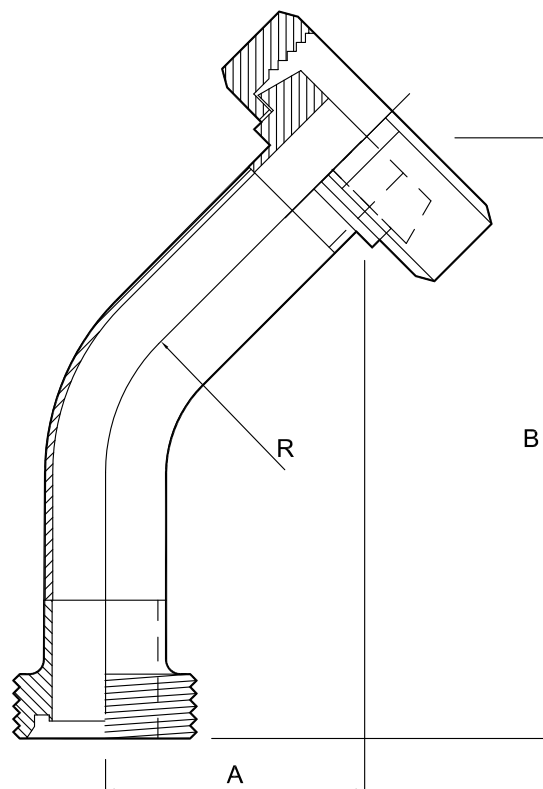


4074

DIN 45° bend - M/F - 316 DIN11851

Nom size	A	B	R	Max Op Pressure (bar) @ 20°C	Stock No
10mm	41.7	104.7	26.0	10	4074-5010
15mm	41.7	104.7	35.0	10	4074-5015
20mm	48.7	123.7	40.0	10	4074-5020
1"/25mm	36.9	96.1	38.1	10	4074-5026
32mm	46.8	120.1	55.0	10	4074-5032
1½"/40mm	47.5	121.8	57.2	10	4074-5038
2"/50mm	61.3	155.0	76.2	10	4074-5051
2½"/65mm	76.5	192.7	95.3	10	4074-5064
3"/80mm	92.4	231.1	114.3	10	4074-5076
4"/100mm	117.5	293.7	152.4	10	4074-5102



Technical Data:

- Material: 316 Stainless Steel
- Finish: 0.8RA or better
- Pressure/Temperature: See above (temp according to seal material)
- Associated standards: DIN 11851, DIN, 11850, DIN 11864, and DIN 11887
- Applications : DIN fittings are suitable for most hygienic applications, particularly in the food, beverage and pharmaceutical industries
- Tolerance: +/- 0.5mm
- Seals: EPDM, Silicone, Viton®, Nitrile, & Solid PTFE

- We stock a comprehensive range of DIN fittings both imperial and metric, including maleparts, liners, nuts, bends, hoseliners, tees, and reducers
- Components can be fabricated to customer specification
- Fabrication capabilities include frameworks, skid mounted systems, manifolds, jacketed assemblies, adaptors, flowplates and spool pieces.
- In-house services include machining, welding, fabrication, polishing.

D4074 - V02/ECN155

NOTES

- Dimensions are provided in good faith but maybe subject to change
- Seals must be chosen for required operating medium & temperature

Axium Process Ltd
Hendy Industrial Estate
Hendy, Swansea
SA4 0XP UK

FORM No:FM002-V02
 (T) +44 (0)1792 883 882
 (F) +44 (0)1792 886 049
 (E) info@axiumprocess.com
 (W) www.axiumprocess.com