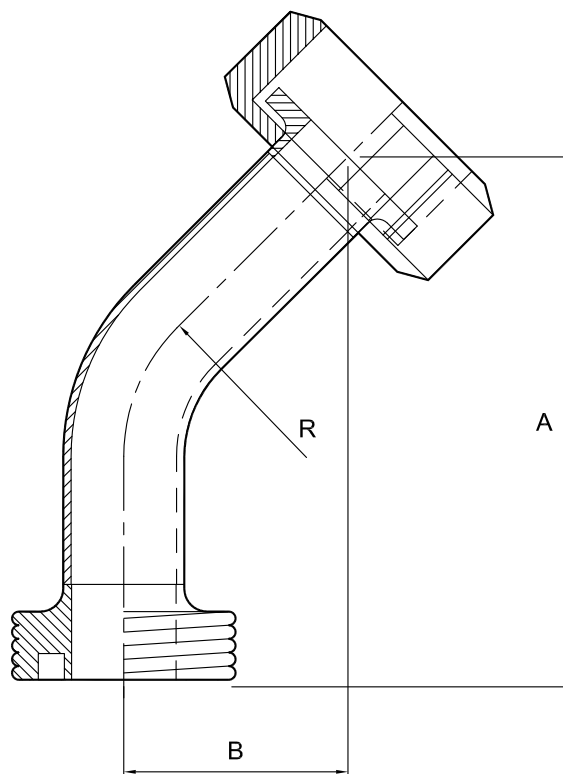


SMS 45° bend - M/F - 316

| Nom size | A | B | R | Max Op Pressure (bar) @ 150°C | Stock No |
|----------|------|-------|-------|-------------------------------|-----------|
| 1" | 32.3 | 77.5 | 38.1 | 10 | 3074-5026 |
| 1½" | 40.5 | 101.8 | 57.2 | 10 | 3074-5038 |
| 2" | 53.5 | 132.2 | 76.2 | 10 | 3074-5051 |
| 2½" | 65.9 | 166.1 | 95.3 | 10 | 3074-5064 |
| 3" | 79.6 | 197.3 | 114.3 | 10 | 3074-5076 |
| 4" | 99.8 | 252.0 | 152.4 | 10 | 3074-5102 |



Technical Data:

- Material: 316 Stainless Steel
- Finish: 0.8RA or better
- Pressure/Temperature: See above (temp according to seal material)
- Associated standards: SMS1148
- Applications : SMS fittings are suitable for frequently dismantled systems
- Tolerance: +/- 0.5mm
- Seals: EPDM, Silicone, Nitrile,

- We stock a comprehensive range of SMS fittings including maleparts, nuts, liners, blanks, seals, bends, tees, hoseliners, and reducers
- Components can be fabricated to customer specification
- Fabrication capabilities include frameworks, skid mounted systems, manifolds, jacketed assemblies, adaptors, flowplates and spool pieces.
- In-house services include machining, welding, fabrication, polishing.

D3074 - V02/ECN155

NOTES

- Dimensions are provided in good faith but maybe subject to change
- Seals must be chosen for required operating medium & temperature