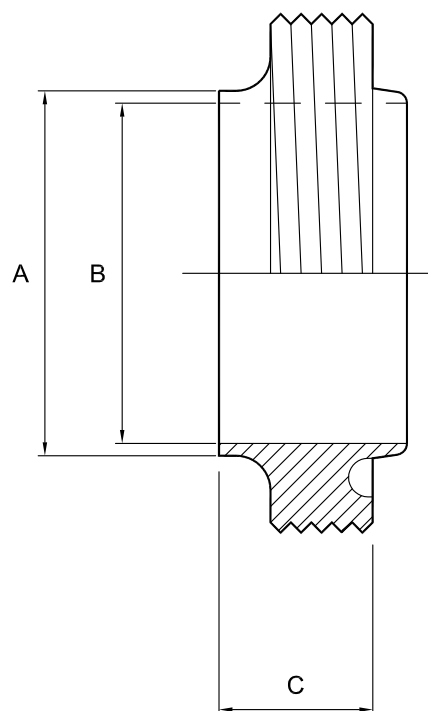


RJT malepart - 316

Nom size	A	B	C	Max Op @ 150°C Pressure (bar)	Stock No
1"	25.65	22.2	21.5	10	1001-5026
1½"	38.35	34.9	21.5	10	1001-5038
2"	51.05	47.6	21.5	10	1001-5051
2½"	63.75	60.3	21.5	10	1001-5064
3"	76.45	73.0	21.5	10	1001-5076
4"	101.85	97.6	21.5	10	1001-5102
6"	152.50	148.0	19.0	10	1001-5154



Technical Data:

- Material: 316 Stainless Steel
- Finish: 0.8RA or better
- Pressure/Temperature: See above (temp according to seal material)
- Associated standards: BS 4825 : Part 5 : 1991 (1" to 4" inclusive)
- Applications : RJT fittings are suitable for frequently dismantled sections of pipework used widely in the food, beverage and dairy industries
- Tolerance: +/- 0.5mm
- Seals: EPDM, Silicone, Viton®, Nitrile, & Solid PTFE

- We stock a comprehensive range of RJT fittings including maleparts, nuts, liners, blanks, seals, blank nut and chains, bends, tees, hoseliners, spanners and reducers
- Components can be fabricated to customer specification
- Fabrication capabilities include frameworks, skid mounted systems, manifolds, jacketed assemblies, adaptors, flowplates and spool pieces.
- In-house services include machining, welding, fabrication, polishing.

DS1001-V02 ECN 171

NOTES

Axium Process Ltd
Hendy Industrial Estate
Hendy, Swansea
SA4 0XP UK

- Dimensions are provided in good faith but maybe subject to change
- Seals must be chosen for required operating medium & temperature

(T) +44 (0)1792 883 882
 (F) +44 (0)1792 886 049
 (E) info@axiumprocess.com
 (W) www.axiumprocess.com