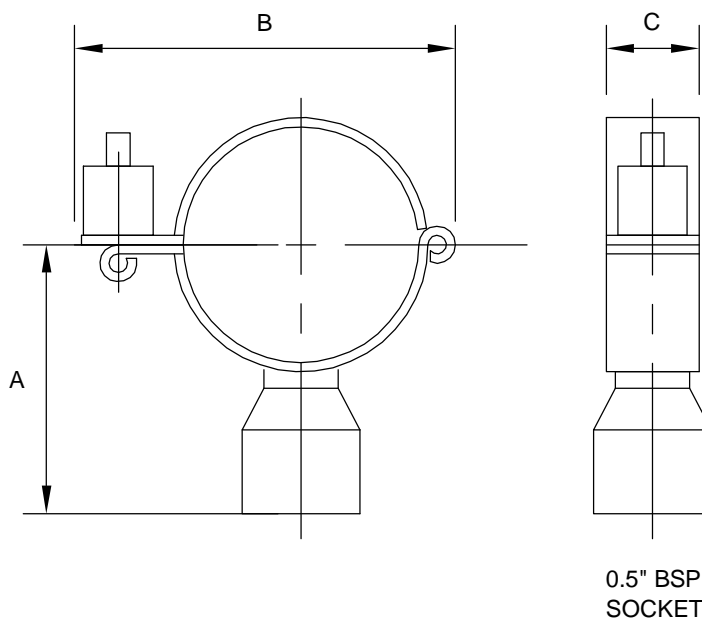


Hinged pipeclip, 304, with boss

Nom size	A	B	B	Stock No
1/2"	38.0	58.0	20.0	0097-4013
3/4"	42.0	62.0	20.0	0097-4019
1"	45.0	66.0	20.0	0097-4026
1½"	50.0	76.0	20.0	0097-4038
2"	60.0	88.0	20.0	0097-4051
2½"	64.0	102.0	20.0	0097-4064
3"	70.0	116.0	20.0	0097-4076
4"	80.0	145.0	20.0	0097-4102



Technical Data:

- Material: 304 Stainless Steel
- Finish: 1.6Ra or better
- Pressure/Temperature: ?
- Associated standards: BS
- Applications :
- Tolerance: +/- 0.5mm
- Seals: None

- We stock a comprehensive range of BSP fittings including unions, ferrules, bends, tees, reducers, hoseliners and adaptors
- Components can be fabricated to customer specification
- Fabrication capabilities include frameworks, skid mounted systems, manifolds, jacketed assemblies, adaptors, flowplates and spool pieces.
- In-house services include machining, welding, fabrication, polishing.

D0097 – V01

NOTES

- Dimensions are provided in good faith but maybe subject to change
- Seals must be chosen for required operating medium & temperature

FORM No:FM002-V02

Axiom Process Ltd
Hendy Industrial Estate
Hendy, Swansea
SA4 0XP UK

 +44 (0)1792 883 882
 +44 (0)1792 886 049
 info@axiumprocess.com
 www.axiumprocess.com