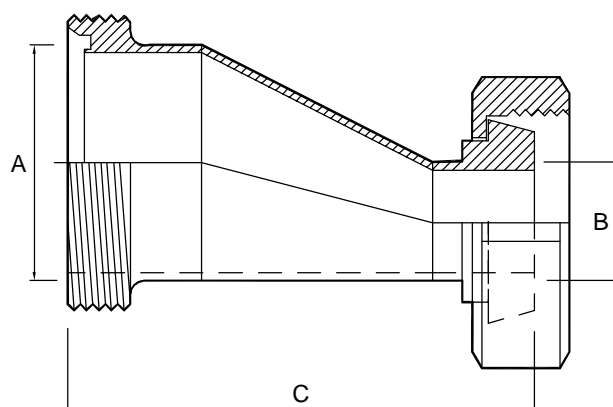


DIN eccentric reducers - M/F - 316 DIN11851

Nom size fitting		A	B	C	Max Op Pressure (bar) @ 20°C	Stock No
Larger	Smaller					
40mm	25mm	40.0	25.0	77.0	10	4001-5040-025
50mm	25mm	50.0	25.0	102.0	10	4001-5050-025
50mm	40mm	50.0	40.0	84.0	10	4001-5050-040
65mm	25mm	65.0	25.0	137.0	10	4001-5065-025
65mm	40mm	65.0	40.0	119.0	10	4001-5065-040
65mm	50mm	65.0	50.0	98.0	10	4001-5065-050
80mm	25mm	80.0	25.0	170.0	10	4001-5080-025
80mm	40mm	80.0	40.0	152.0	10	4001-5080-040
80mm	50mm	80.0	50.0	131.0	10	4001-5080-050
80mm	65mm	80.0	65.0	102.0	10	4001-5080-065
100mm	40mm	100.0	40.0	197.0	10	4001-5100-040
100mm	50mm	100.0	50.0	176.0	10	4001-5100-050
100mm	65mm	100.0	65.0	150.0	10	4001-5100-065
100mm	80mm	100.0	80.0	127.0	10	4001-5100-080



Technical Data:

- Material: 316 Stainless Steel
- Finish: 0.8RA or better
- Pressure/Temperature: See above (temp according to seal material)
- Associated standards: DIN 11851, DIN, 11850, DIN 11864, and DIN 11887
- Applications : DIN fittings are suitable for most hygienic applications, particularly in the food, beverage and pharmaceutical industries
- Tolerance: +/- 0.5mm
- Seals: EPDM, Silicone, Viton®, Nitrile, & Solid PTFE

- We stock a comprehensive range of DIN fittings both imperial and metric, including maleparts, liners, nuts, bends, hoseliners, tees, and reducers
- Components can be fabricated to customer specification
- Fabrication capabilities include frameworks, skid mounted systems, manifolds, jacketed assemblies, adaptors, flowplates and spool pieces.
- In-house services include machining, welding, fabrication, polishing.

4085-02-V01

NOTES

- Dimensions are provided in good faith but maybe subject to change
- Seals must be chosen for required operating medium & temperature

FORM No:FM002-V02

Axium Process Ltd
Hendy Industrial Estate
Hendy, Swansea
SA4 0XP UK

☎ +44 (0)1792 883 882
☎ +44 (0)1792 886 049
✉ info@axiumprocess.com
🌐 www.axiumprocess.com