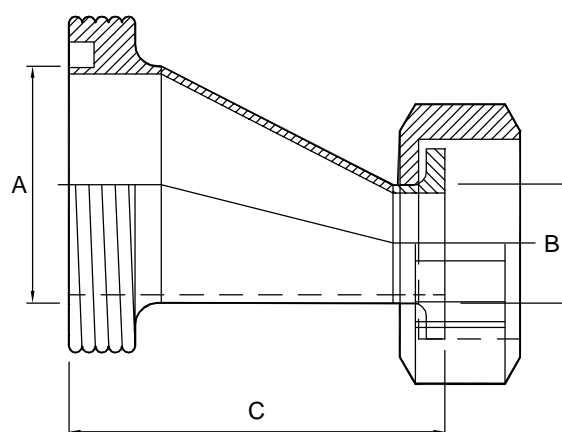


SMS eccentric reducers, M/F - 316

Nom size fitting		A	B	C	Max Op Pressure (bar) @ 20°C	Stock No
Larger	Smaller					
1 1/2"	1"	38.1	25.4	54.5	10	3085-5038-026
2"	1"	50.4	25.4	74.5	10	3085-5051-026
2"	1 1/2"	50.5	38.1	67.0	10	3085-5051-038
2 1/2"	1"	63.5	25.4	99.5	10	3085-5064-026
2 1/2"	1 1/2"	63.5	38.1	107.0	10	3085-5064-038
2 1/2"	2"	63.5	50.4	78.0	10	3085-5064-051
3"	1"	76.2	25.4	126.5	10	3085-5076-026
3"	1 1/2"	76.2	38.1	101.0	10	3085-5076-038
3"	2"	76.2	50.4	113.0	10	3085-5076-051
3"	2 1/2"	76.2	63.5	73.0	10	3085-5076-064
4"	1 1/2"	101.6	38.1	160.0	10	3085-5102-038
4"	2"	101.6	50.4	140.0	10	3085-5102-051
4"	2 1/2"	101.6	63.5	113.0	10	3085-5102-064
4"	3"	101.6	76.2	120.0	10	3085-5102-076



Technical Data:

- Material: 316 Stainless Steel
- Finish: 0.8RA or better
- Pressure/Temperature: See above (temp according to seal material)
- Associated standards: SMS1148
- Applications : SMS fittings are suitable for frequently dismantled systems
- Tolerance: +/- 0.5mm
- Seals: EPDM, Silicone, Nitrile,

- We stock a comprehensive range of SMS fittings including maleparts, nuts, liners, blanks, seals, bends, tees, hoseliners, and reducers
- Components can be fabricated to customer specification
- Fabrication capabilities include frameworks, skid mounted systems, manifolds, jacketed assemblies, adaptors, flowplates and spool pieces.
- In-house services include machining, welding, fabrication, polishing.

3085 - V01

NOTES

- Dimensions are provided in good faith but maybe subject to change
- Seals must be chosen for required operating medium & temperature

FORM No:FM002-V02

Axium Process Ltd
Hendy Industrial Estate
Hendy, Swansea
SA4 0XP UK

(T) +44 (0)1792 883 882
 (F) +44 (0)1792 886 049
 (E) info@axiumprocess.com
 (W) www.axiumprocess.com