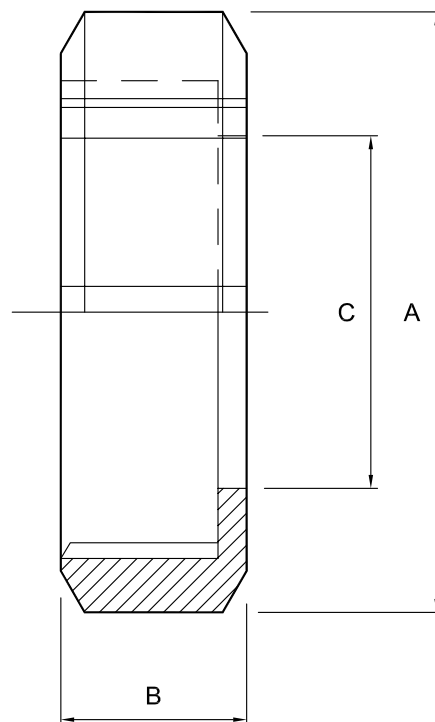


SMS NUT - 304

Nom size	A	B	C	Max Op Pressure (bar) @ 150°C	Stock No
1"	51.0	20.0	32.0	10	3002-4026
1½"	74.0	25.0	48.0	10	3002-4038
2"	84.0	26.0	60.5	10	3002-4051
2½"	100.0	30.0	74.0	10	3002-4064
3"	114.0	32.0	87.0	10	3002-4076
4"	138.0	31.0	113.0	10	3002-4102
4"	150.0	30.0	113.0	10	3002-4103



Technical Data:

- Material: 304 Stainless Steel
- Finish: 0.8RA or better
- Pressure/Temperature: See above (temp according to seal material)
- Associated standards: SMS1148
- Applications : SMS fittings are suitable for frequently dismantled systems
- Tolerance: +/- 0.5mm
- Seals: EPDM, Silicone, Nitrile,

- We stock a comprehensive range of SMS fittings including maleparts, nuts, liners, blanks, seals, bends, tees, hoseliners, and reducers
- Components can be fabricated to customer specification
- Fabrication capabilities include frameworks, skid mounted systems, manifolds, jacketed assemblies, adaptors, flowplates and spool pieces.
- In-house services include machining, welding, fabrication, polishing.

D3002 - V02

NOTES

Axium Process Ltd
Hendy Industrial Estate
Hendy, Swansea
SA4 0XP UK

- Dimensions are provided in good faith but maybe subject to change
- Seals must be chosen for required operating medium & temperature

(T) +44 (0)1792 883 882
 (F) +44 (0)1792 886 049
 (E) info@axiumprocess.com
 (W) www.axiumprocess.com