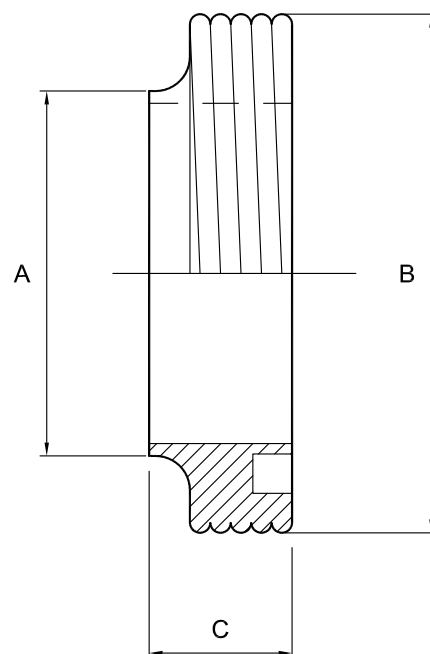


SMS weld malepart - 316

Nom size	A	B	C	Max Op Pressure (bar) @ 150°C	Stock No
1"	25.6	40.0	15.0	10	3001-5026
1½"	38.6	60.0	20.0	10	3001-5038
2"	51.6	70.0	20.0	10	3001-5051
2½"	64.1	85.0	24.0	10	3001-5064
3"	76.6	98.0	24.0	10	3001-5076
4"	101.6	125.0	30.0	10	3001-5102
4"	101.6	132.0	28.0	10	3001-5103



Technical Data:

- Material: 316 Stainless Steel
- Finish: 0.8RA or better
- Pressure/Temperature: See above (temp according to seal material)
- Associated standards: SMS1148
- Applications : SMS fittings are suitable for frequently dismantled systems
- Tolerance: +/- 0.5mm
- Seals: EPDM, Silicone, Nitrile,

- We stock a comprehensive range of SMS fittings including maleparts, nuts, liners, blanks, seals, bends, tees, hoseliners, and reducers
- Components can be fabricated to customer specification
- Fabrication capabilities include frameworks, skid mounted systems, manifolds, jacketed assemblies, adaptors, flowplates and spool pieces.
- In-house services include machining, welding, fabrication, polishing.

D3001 - V02

NOTES

Axium Process Ltd
Hendy Industrial Estate
Hendy, Swansea
SA4 0XP UK

- Dimensions are provided in good faith but maybe subject to change
- Seals must be chosen for required operating medium & temperature

(T) +44 (0)1792 883 882
 (F) +44 (0)1792 886 049
 (E) info@axiumprocess.com
 (W) www.axiumprocess.com