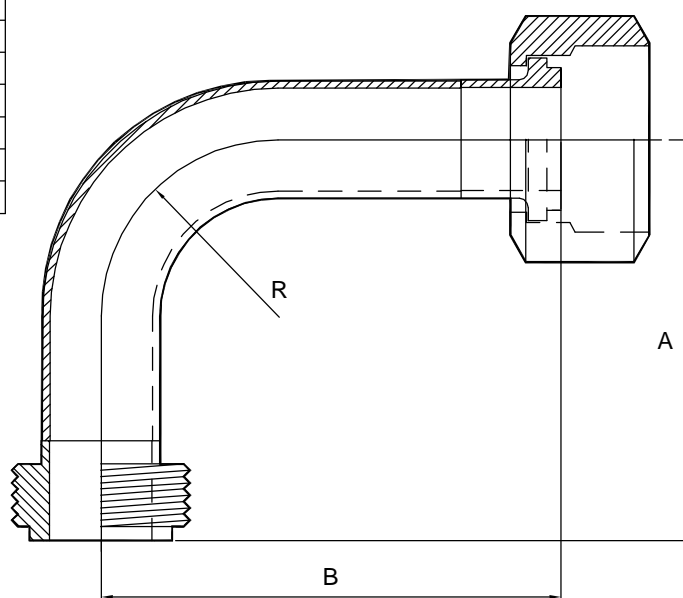


2076

## IDF 90° bend - M/F - 316 BS4825

Nom size	A	B	R	Max Op Pressure (bar) @ 20°C	Stock No
1"	86.5	86.5	38.1	10	2076-5026
1½"	106.5	106.5	57.2	10	2076-5038
2"	131.5	131.5	76.2	10	2076-5051
2½"	156.5	156.5	95.3	10	2076-5064
3"	176.5	176.5	114.3	10	2076-5076
4"	225.0	225.0	152.4	10	2076-5102



### Technical Data:

- Material: 316 Stainless Steel
- Finish: 0.8RA or better
- Pressure/Temperature: See above (temp according to seal material)
- Associated standards: BS 4825 : Part 4 : 1991 (1" to 4" inclusive)
- Applications : Used widely throughout the dairy industry
- Tolerance: +/- 0.5mm
- Seals: EPDM, Silicone, Viton®, Nitrile, & Solid PTFE

- We stock a comprehensive range of IDF fittings including maleparts, liners, nuts, blanks, seals, blank nut and chains, tees, hoseliners, spanners and reducers
- Components can be fabricated to customer specification
- Fabrication capabilities include frameworks, skid mounted systems, manifolds, jacketed assemblies, adaptors, flowplates and spool pieces.
- In-house services include machining, welding, fabrication, polishing.

2076-V01

FORM No:FM002-V02

### NOTES

- Dimensions are provided in good faith but maybe subject to change
- Seals must be chosen for required operating medium & temperature

Axiom Process Ltd  
Hendy Industrial Estate  
Hendy, Swansea  
SA4 0XP UK

 +44 (0)1792 883 882  
 +44 (0)1792 886 049  
 info@axiumprocess.com  
 www.axiumprocess.com