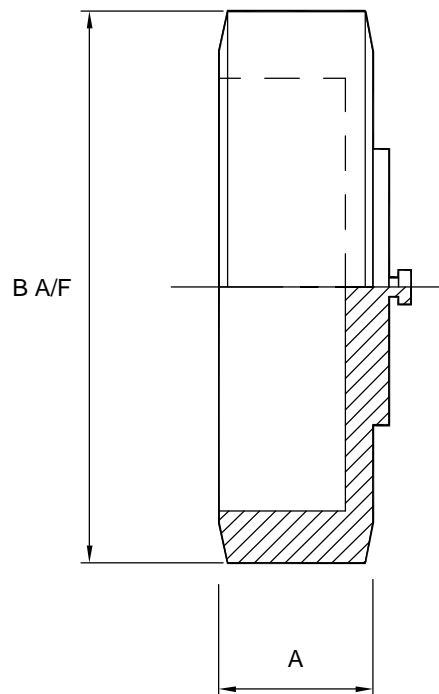


RJT blank nut & chain - 304

Nom size	A	B	Max Op @ 150°C Pressure (bar)	Stock No
1"	50.8	22.2	10	1207-4026
1½"	65.0	22.2	10	1207-4038
2"	79.4	22.2	10	1207-4051
2½"	92.1	22.2	10	1207-4064
3"	104.8	22.2	10	1207-4076
4"	130.2	22.2	10	1207-4102



Technical Data:

- Material: 304 Stainless Steel
- Finish: 0.8RA or better
- Pressure/Temperature: See above (temp according to seal material)
- Associated standards: BS 4825 : Part 5 : 1991 (1" to 4" inclusive)
- Applications : RJT fittings are suitable for frequently dismantled sections of pipework used widely in the food, beverage and dairy industries
- Tolerance: +/- 0.5mm
- Seals: EPDM, Silicone, Viton®, Nitrile, & Solid PTFE

- We stock a comprehensive range of RJT fittings including maleparts, nuts, liners, blanks, seals, blank nut and chains, bends, tees, hoseliners, spanners and reducers
- Components can be fabricated to customer specification
- Fabrication capabilities include frameworks, skid mounted systems, manifolds, jacketed assemblies, adaptors, flowplates and spool pieces.
- In-house services include machining, welding, fabrication, polishing.

1207 - V01

NOTES

Axium Process Ltd
Hendy Industrial Estate
Hendy, Swansea
SA4 0XP UK

- Dimensions are provided in good faith but maybe subject to change
- Seals must be chosen for required operating medium & temperature

(T) +44 (0)1792 883 882
 (F) +44 (0)1792 886 049
 (E) info@axiumprocess.com
 (W) www.axiumprocess.com

FORM No:FM002-V02