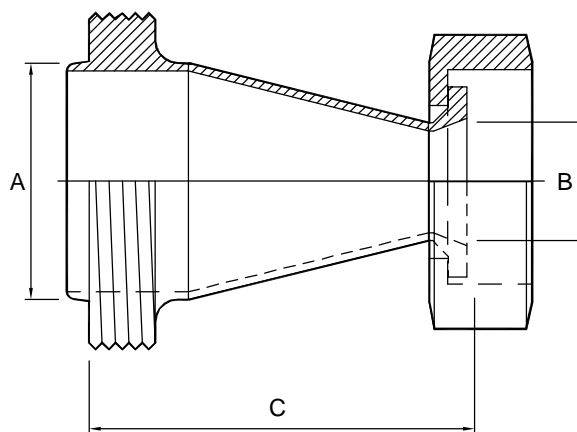


## RJT concentric reducers, M/F - 316

Nom size fitting		A	B	C	Max Op @ 150°C Pressure (bar)	Stock No
Larger	Smaller					
1 1/2"	1"	38.1	25.4	63.2	10	1084-5038-026
2"	1"	50.8	25.4	83.2	10	1084-5051-026
2"	1 1/2"	50.8	38.1	65.2	10	1084-5051-038
2 1/2"	1"	63.5	25.4	110.2	10	1084-5064-026
2 1/2"	1 1/2"	63.5	38.1	82.2	10	1084-5064-038
2 1/2"	2"	63.5	50.8	72.2	10	1084-5064-051
3"	1"	76.2	25.4	134.2	10	1084-5076-026
3"	1 1/2"	76.2	38.1	108.2	10	1084-5076-038
3"	2"	76.2	50.8	84.2	10	1084-5076-051
3"	2 1/2"	76.2	63.5	74.2	10	1084-5076-064
4"	1"	101.6	25.4	86.2	10	1084-5102-026
4"	1 1/2"	101.6	38.1	162.2	10	1084-5102-038
4"	2"	101.6	50.8	134.2	10	1084-5102-051
4"	2 1/2"	101.6	63.5	109.2	10	1084-5102-064
4"	3"	101.6	76.2	89.2	10	1084-5102-076



### Technical Data:

- Material: 316 Stainless Steel
- Finish: 0.8RA or better
- Pressure/Temperature: See above (temp according to seal material)
- Associated standards: BS 4825 : Part 5 : 1991 (1" to 4" inclusive)
- Applications : RJT fittings are suitable for frequently dismantled sections of pipework used widely in the food, beverage and dairy industries
- Tolerance: +/- 0.5mm
- Seals: EPDM, Silicone, Viton®, Nitrile, & Solid PTFE

- We stock a comprehensive range of RJT fittings including maleparts, nuts, liners, blanks, seals, blank nut and chains, bends, tees, hoseliners, spanners and reducers
- Components can be fabricated to customer specification
- Fabrication capabilities include frameworks, skid mounted systems, manifolds, jacketed assemblies, adaptors, flowplates and spool pieces.
- In-house services include machining, welding, fabrication, polishing.

1084 - V01

### NOTES

- Dimensions are provided in good faith but maybe subject to change
- Seals must be chosen for required operating medium & temperature

FORM No:FM002-V02

Axium Process Ltd  
Hendy Industrial Estate  
Hendy, Swansea  
SA4 0XP UK

(T) +44 (0)1792 883 882  
 (F) +44 (0)1792 886 049  
 (E) info@axiumprocess.com  
 (W) www.axiumprocess.com