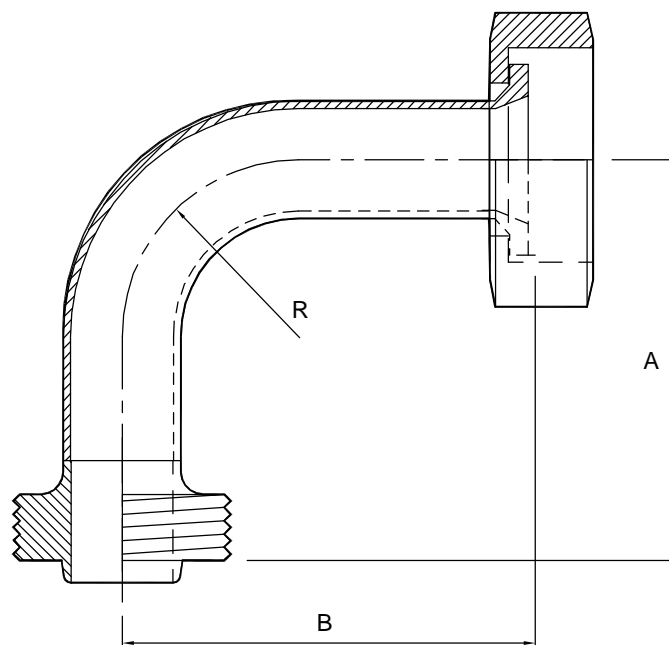


RJT 90° bend - M/F - 316

| Nom size | A | B | R | Max Op @ 150°C Pressure (bar) | Stock No |
|----------|-------|-------|-------|-------------------------------|-----------|
| 1" | 77.7 | 86.5 | 38.1 | 10 | 1076-5026 |
| 1½" | 97.7 | 106.5 | 57.2 | 10 | 1076-5038 |
| 2" | 122.7 | 131.5 | 76.2 | 10 | 1076-5051 |
| 2½" | 147.7 | 156.5 | 95.3 | 10 | 1076-5064 |
| 3" | 167.7 | 176.5 | 114.3 | 10 | 1076-5076 |
| 4" | 207.7 | 216.5 | 152.4 | 10 | 1076-5102 |



Technical Data:

- | | |
|---|--|
| <ul style="list-style-type: none"> • Material: 316 Stainless Steel • Finish: 0.8RA or better • Pressure/Temperature: See above (temp according to seal material) • Associated standards: BS 4825 : Part 5 : 1991 (1" to 4" inclusive) • Applications : RJT fittings are suitable for frequently dismantled sections of pipework used widely in the food, beverage and dairy industries | <ul style="list-style-type: none"> • Tolerance: +/- 0.5mm • Seals: EPDM, Silicone, Viton®, Nitrile, & Solid PTFE |
|---|--|

- We stock a comprehensive range of RJT fittings including maleparts, nuts, liners, blanks, seals, blank nut and chains, bends, tees, hoseliners, spanners and reducers
- Components can be fabricated to customer specification
- Fabrication capabilities include frameworks, skid mounted systems, manifolds, jacketed assemblies, adaptors, flowplates and spool pieces.
- In-house services include machining, welding, fabrication, polishing.

1076 - V01

NOTES

- Dimensions are provided in good faith but maybe subject to change
- Seals must be chosen for required operating medium & temperature

FORM No:FM02-V02

Axium Process Ltd
Hendy Industrial Estate
Hendy, Swansea
SA4 0XP UK

(T) +44 (0)1792 883 882
 (F) +44 (0)1792 886 049
 (E) info@axiumprocess.com
 (W) www.axiumprocess.com