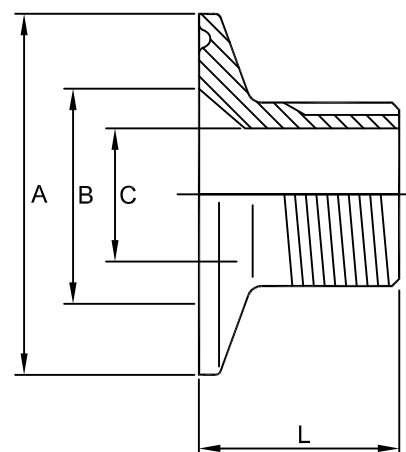


Clamp BSP male adaptor 316L (machined from solid) BS4825

Nom size		A	B	C	L	Max Op Pressure (bar) @ 150°C	Stock No
Clamp	BSP						
1/2"	1/4"	25.4	10.0	10.0	30.0	50	5197-6013-006
1/2"	3/8"	25.4	10.0	10.0	30.0	50	5197-6013-009
1/2"	1/2"	25.4	16.0	16.0	32.0	50	5197-6013-013
1"	3/8"	50.5	22.0	22.0	30.0	50	5197-6026-009
1.5"	3/8"	50.5	34.9	22.0	35.0	50	5197-6038-009
1"	1/2"	50.5	22.0	22.0	35.0	50	5197-6026-013
1.5"	1/2"	50.5	34.9	22.0	35.0	50	5197-6038-013
1"	3/4"	50.5	22.0	22.0	35.0	50	5197-6026-019
1.5"	3/4"	50.5	34.9	22.0	35.0	50	5197-6038-019
1 1/2"	1"	50.5	35.0	35.0	35.0	50	5197-6038-026

Other sizes available



Technical Data:

- | | |
|--|---|
| <ul style="list-style-type: none"> Material: 316L Stainless Steel Finish: 0.8RA or better Pressure/Temperature: See above (temp according to seal material) Associated standards: BS 4825 : Part 3 : 1991 (1" to 4" inclusive) | <ul style="list-style-type: none"> Tolerance: +/- 0.5mm Seals: EPDM, Nitrile, Silicone, Platinum Cured Silicone, Encapsulated & Solid PTFE, Viton®
<small>Viton® is a registered trademark of DuPont Dow Elastomers</small> |
| <ul style="list-style-type: none"> Applications : Clamp fittings are suitable for beverage, fine chemical, pharmaceutical and biotech applications, where crevice free conditions are critical. | |

- We stock a comprehensive range of clamp fittings including unions, ferrules, bends, tees, reducers, hoseliners and adaptors
- Components can be fabricated to customer specification
- Fabrication capabilities include frameworks, skid mounted systems, manifolds, jacketed assemblies, adaptors, flowplates and spool pieces.
- In-house services include machining, welding, fabrication, polishing.

D5197-V04/ECN 705

NOTES

- Dimensions are provided in good faith but maybe subject to change
- Seals must be chosen for required operating medium & temperature

(T) +44 (0)1792 883 882
 (F) +44 (0)1792 886 049
 (E) info@axiumprocess.com
 (W) www.axiumprocess.com